

**LOT BAR TAP Two-hole mixer with individual rosettes - Champagne (22kt Gold)**

LOT

32 805 680



- 165mm projection
- pivotable spout 360°
- air-enriched flow
- height of mixer 230 mm
- height up to laminar flow regulator 205 mm
- individual rosette 55 x 55 mm
- hole diameter spout 35 mm
- single-lever mixer hole diameter 44 mm
- max. flow 8 l/min at 3 bar flow pressure
- lead-free
- WRAS 1909073
- This product can help a building meet the requirements of Green Building Rating Systems, e.g. LEED®, BREEAM®, DGNB

Operating unit can be positioned freely.

|  |                                |               |
|--|--------------------------------|---------------|
|  | Champagne (22kt Gold)          | 32 805 680-47 |
|  | Chrome                         | 32 805 680-00 |
|  | Brushed Platinum               | 32 805 680-06 |
|  | Platinum                       | 32 805 680-08 |
|  | Dark Chrome                    | 32 805 680-19 |
|  | Brushed Durabronze (23kt Gold) | 32 805 680-28 |
|  | Brushed Champagne (22kt Gold)  | 32 805 680-46 |
|  | Brushed Dark Platinum          | 32 805 680-99 |

**Recommended miscellaneous**

**Dispenser with rosette - Champagne (22kt Gold)**

82 439 970-47



**Recommended miscellaneous**

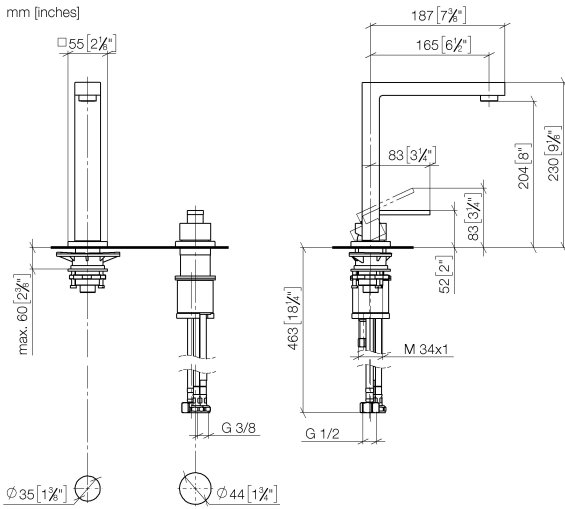
**Strainer waste with control handle - Champagne (22kt Gold)**

10 711 970-47

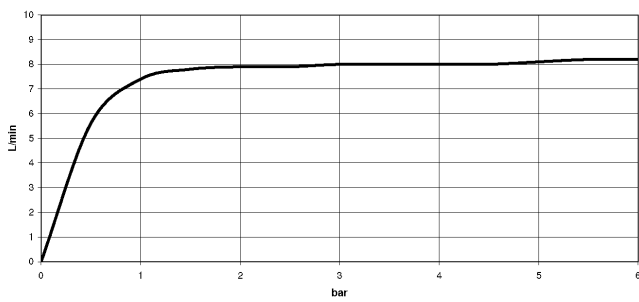


32 805 680

mm [inches]



**Flow rate chart**

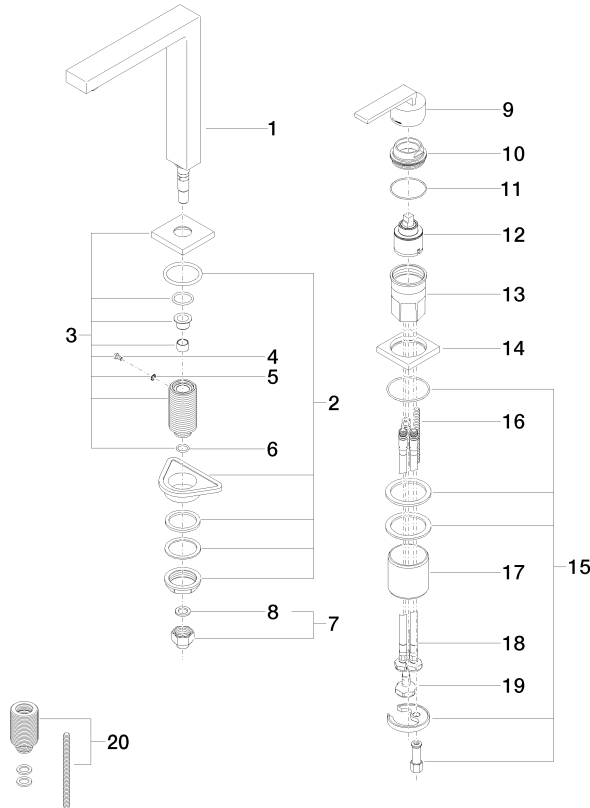


**Certificates**

GDV\_0400283.

LGA\_18887.

32 805 680  
Parts for other  
finishes can be found  
here: [Chrome](#)



**Spare parts list**

| No. | Item Number        | Name            | Quantity used | Delivery time |
|-----|--------------------|-----------------|---------------|---------------|
| 1   | 90 11 06 192 04-47 | spout           | 1             | 30            |
| 2   | 04 23 10 044 01 90 | fixing set      | 1             | 2             |
| 3   | 90 27 78 023 00-47 | rosette         | 1             | 30            |
| 4   | 09 30 30 057 90    | screw           | 1             | 2             |
| 5   | 09 30 11 028 90    | disc            | 1             | 2             |
| 6   | 90 14 10 077 00 90 | seal            | 1             | 2             |
| 7   | 04 24 04 166 10 90 | nipple          | 1             | 2             |
| 8   | 90 14 20 002 00 90 | seal            | 1             | 2             |
| 9   | 90 20 78 040 00-47 | handle          | 1             | 30            |
| 10  | 09 24 04 142-47    | nut             | 1             | 30            |
| 11  | 09 14 10 037 90    | seal            | 1             | 2             |
| 12  | 90 15 05 045 00 90 | cartridge       | 1             | 2             |
| 13  | 09 30 01 100 10 90 | sleeve          | 1             | 2             |
| 14  | 09 27 78 007-47    | rosette         | 1             | 30            |
| 15  | 04 30 11 038 02 90 | fixing set      | 1             | 2             |
| 16  | 09 31 11 011 90    | pin             | 1             | 2             |
| 17  | 09 18 40 079 90    | sleeve          | 1             | 2             |
| 18  | 04 30 04 104 00 90 | hose            | 2             | 2             |
| 19  | 04 30 04 019 00 90 | hose            | 1             | 2             |
| 20  | 12 802 970 90      | Extension set - | 1             | 60            |