

MEM Two-hole mixer with individual rosettes - Platinum

MEM

32 815 682



- 241mm projection
- pivotable spout 360°
- Optional swivel limiter available with swivel limiter set 12 820 970 90
- air-enriched flow
- max. flow 6.3 l/min at 3 bar flow pressure
- lead-free
- This product can help a building meet the requirements of Green Building Rating Systems, e.g. LEED®, BREEAM®, DGNB
- WRAS 240102013

Operating unit can be positioned freely.

	Platinum	32 815 682-08
	Chrome	32 815 682-00
	Brushed Platinum	32 815 682-06
	Durabrace (23kt Gold)	32 815 682-09
	Dark Chrome	32 815 682-19
	Brushed Durabrace (23kt Gold)	32 815 682-28
	Matte Black	32 815 682-33
	Brushed Champagne (22kt Gold)	32 815 682-46
	Champagne (22kt Gold)	32 815 682-47
	Brushed Chrome	32 815 682-93
	Brushed Dark Platinum	32 815 682-99

Recommended miscellaneous

Swivel limitation set - 12 820 970 90



Recommended miscellaneous

Strainer waste with control handle - Platinum 10 710 970-08

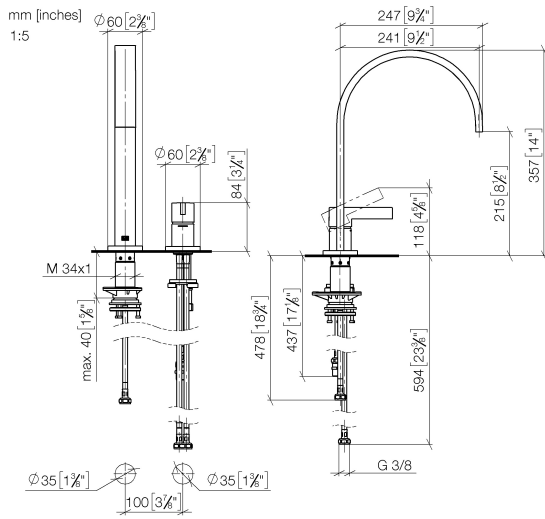


Recommended miscellaneous

Dispenser with rosette - Platinum 82 444 970-08



32 815 682



Flow rate chart

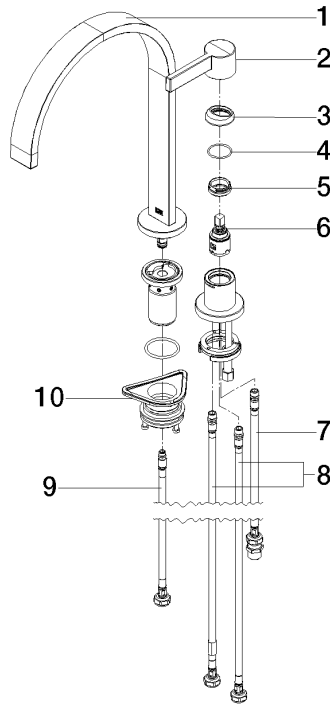


Certificates

LGA_38640.

WRAS_240102013.

32 815 682



Spare parts list

No.	Item Number	Name	Quantity used	Delivery time
1	90 28 22 390 00-08	spout	1	-
Spare part can no longer be ordered, please order the replacement item				
2	90 20 87 003 00-08	handle	1	-
Spare part can no longer be ordered, please order the replacement item				
3	09 28 30 026-08	cover	1	40
4	09 14 10 091 90	seal	1	2
5	09 24 04 266 90	nut	1	2
6	90 15 05 042 00 90	cartridge	1	2
7	04 30 04 104 00 90	hose	1	2
8	04 30 04 105 00 90	hose	2	2
9	04 30 04 100 00 90	hose	1	2
10	90 30 10 057 00 90	fixing set	1	-
Spare part can no longer be ordered, please order the replacement item				