

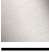





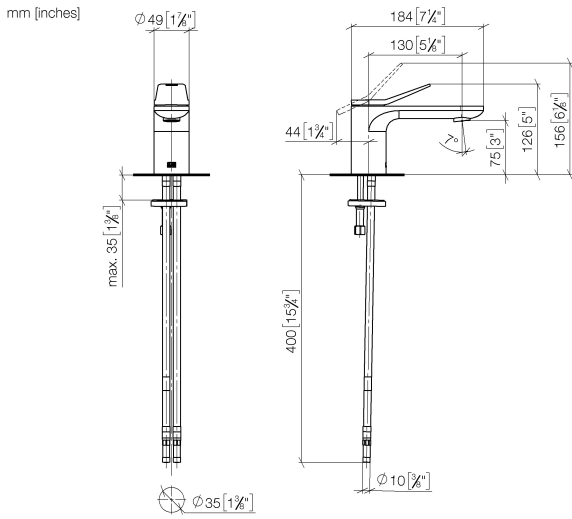
33 521 845



- 130mm projection
- fixed spout
- circular, air-enriched flow
- height of mixer 127 mm
- height up to aerator 75 mm
- hole diameter 35 mm
- 2x screw-in M 8 x 1 pressure hose, leak-tested
- max. flow 5.7 l/min
- lead-free
- This product can help a building meet the requirements of Green Building Rating Systems, e.g. LEED®, BREEAM®, DGNB
- WRAS 1906074

|  |                       |               |
|--|-----------------------|---------------|
|  | Brushed Chrome        | 33 521 845-93 |
|  | Chrome                | 33 521 845-00 |
|  | Brushed Platinum      | 33 521 845-06 |
|  | Dark Chrome           | 33 521 845-19 |
|  | Matte Black           | 33 521 845-33 |
|  | Brushed Dark Platinum | 33 521 845-99 |

33 521 845



**Flow rate chart**



**Codes & Standards**

|                                |                             |          |                           |
|--------------------------------|-----------------------------|----------|---------------------------|
| DIN 4109                       | Executive Order<br>no. 1007 | ISO 3822 | Scottish Water<br>Byelaws |
| UK Water Supply<br>Regulations | Ü-Zeichen                   |          |                           |



LISSÉ Single-lever basin mixer without pop-up waste - Brushed Chrome

LISSÉ

33 521 845

Certificates

WRAS\_1906

GDV\_0400

LGA\_29

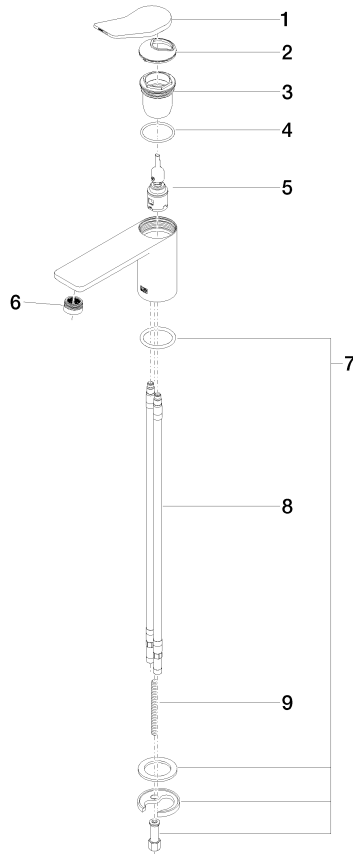
33 521 845

Product version from 3/9/2016 to 10/31/2018

Product version from 10/31/2018 to 5/3/2021

**Product version from 5/3/2021**

Parts for other  
finishes can be found  
here: [Chrome](#)





## LISSÉ Single-lever basin mixer without pop-up waste - Brushed Chrome

LISSÉ

33 521 845

### Spare parts list

Product version from 3/9/2016 to 10/31/2018

Product version from 10/31/2018 to 5/3/2021

### Product version from 5/3/2021

| No. | Item Number        | Name   | Quantity used | Delivery time |
|-----|--------------------|--------|---------------|---------------|
|     | 90 20 84 020 00-93 | handle | 10            | 20            |