





DORNBRACHT YAMOU Single-lever basin mixer with raised base without pop-up waste - Chrome

33 537 831 Product version from 1/1/2023



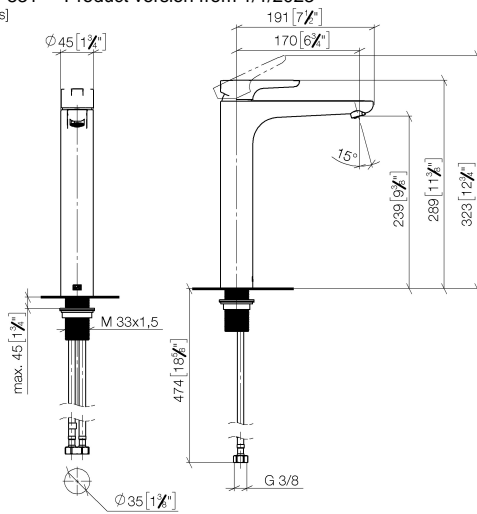
- 180mm projection
- fixed spout
- circular, air-enriched flow
- height of mixer 288 mm
- height up to aerator 239 mm
- hole diameter 35 mm
- 2x screw-in M 8 x 1 pressure hose, leak-tested
- max. flow 6.8 l/min
- WRAS

| | | |
|---|------------|---------------|
|  | Chrome | 33 537 831-00 |
|  | Soft Black | 33 537 831-69 |

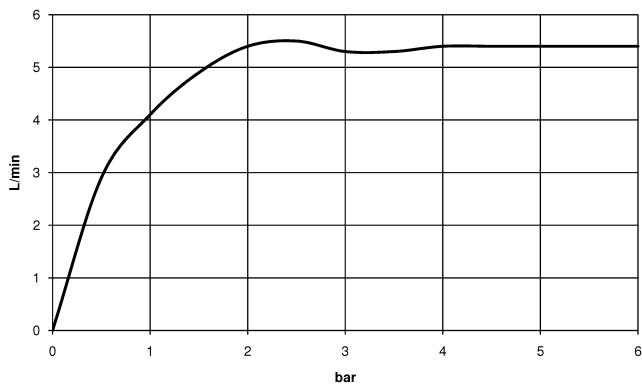


DORNBRACHT YAMOU Single-lever basin mixer with raised base without pop-up waste - Chrome

33 537 831 Product version from 1/1/2023
mm [inches]



Flow rate chart



Codes & Standards

DIN 4109

ISO 3822

Scottish Water
Byelaws

UK Water Supply
Regulations

Ü-Zeichen

XP P 41-280



DORNBACHT YAMOU Single-lever basin mixer with raised base without pop-up waste - Chrome

33 537 831 Product version from 1/1/2023

Certificates

AbP_10

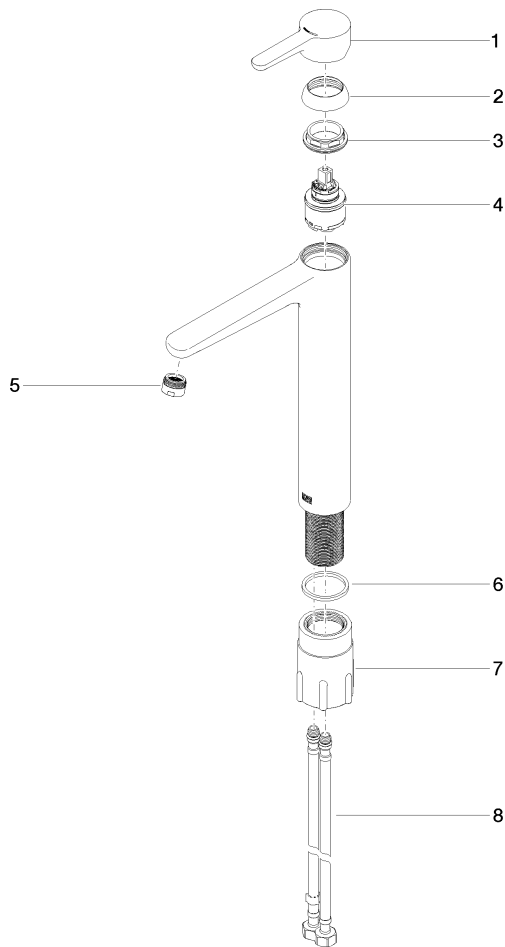
ACS_23 ACC NY

WRAS_240104

DORNBRACHT YAMOU Single-lever basin mixer with raised base without pop-up waste - Chrome

33 537 831 Product version from 1/1/2023

Parts for other finishes can be found here: [Soft Black](#)



Spare parts list

| No. | Item Number | Name | Quantity used | Delivery time |
|-----|--------------------|------------|---------------|---------------|
| 1 | 90 20 83 002 00-00 | handle | 1 | 2 |
| 2 | 90 21 02 400 00-00 | cover | 1 | 2 |
| 3 | 90 23 10 140 00 90 | nut | 1 | 2 |
| 4 | 90 15 05 502 00 90 | cartridge | 1 | 2 |
| 5 | 90 23 01 177 00-00 | aerator | 1 | 2 |
| 6 | 90 14 05 082 00 90 | seal | 1 | 2 |
| 7 | 90 30 11 505 00 90 | fixing set | 1 | 2 |
| 8 | 90 30 04 115 00 90 | hose | 1 | 2 |