

Single-lever bidet mixer with pop-up waste - Brushed Chrome

33 600 670 Product version from 5/10/2021

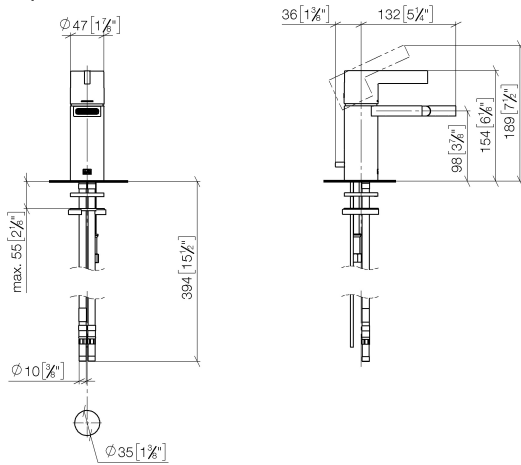


- 130mm projection
- fixed spout
- ball-joint pivotable through 30°
- rectangular, air-enriched flow
- height of mixer 188 mm
- height up to aerator 77 mm
- hole diameter 35 mm
- 2x screw-in M 10 x 1 pressure hose, leak-tested
- max. flow 7 l/min

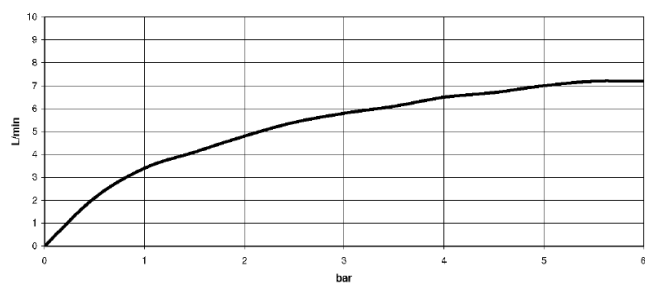
Single-lever bidet mixer with pop-up waste - Brushed Chrome

33 600 670 Product version from 5/10/2021

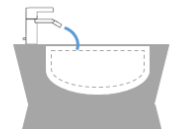
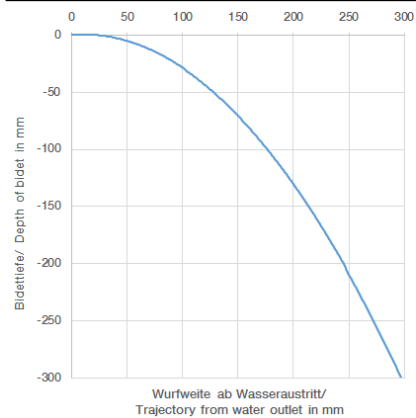
mm [inches]



Flow rate chart



Trajectory diagram



Codes & Standards

DIN 4109

ISO 3822

Ü-Zeichen



Single-lever bidet mixer with pop-up waste - Brushed Chrome

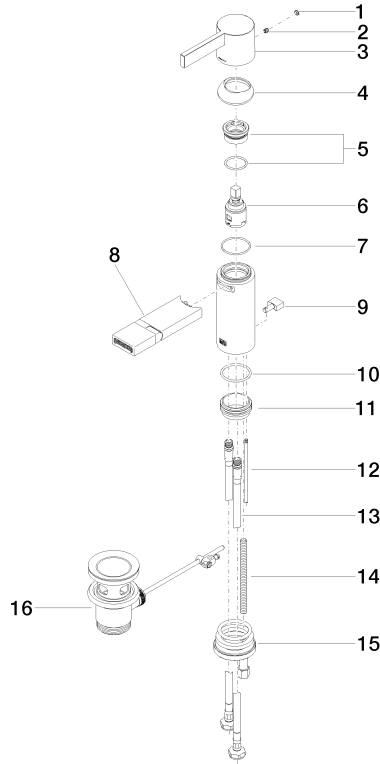
33 600 670 Product version from 5/10/2021

Certificates

LGA_19

Single-lever bidet mixer with pop-up waste - Brushed Chrome

33 600 670 Product version from 5/10/2021



Spare parts list

No.	Item Number	Name	Quantity used	Delivery time
1	90 31 20 087 00-93	plug	1	20
2	90 31 11 030 00 90	pin	1	2
3	09 20 67 003-93	handle	1	20
4	09 28 30 019-93	cover	1	20
5	90 23 10 066 00 90	nut	1	2
6	90 15 05 042 00 90	cartridge	1	2
7	09 14 10 102 90	seal	1	2
8	90 28 22 246 00-93	spout	1	20
9	09 20 67 002-93	handle	1	20
10	09 14 10 119 90	seal	1	2
11	09 28 10 109-07	ring	1	30
12	09 31 09 080-93	pull-rod	1	20
13	04 30 04 104 00 90	hose	2	2
14	09 31 11 012 90	pin	1	2
15	04 30 11 085 88 90	fixing set	1	2
16	90 11 01 001 00-93	pop-up waste	1	20