

33 800 861



- 200mm projection
- pivotable spout 360°
- Optional swivel limiter available with swivel limiter set 12 820 970 90
- air-enriched flow
- max. flow 8 l/min at 3 bar flow pressure
- lead-free
- This product can help a building meet the requirements of Green Building Rating Systems, e.g. LEED®, BREEAM®, DGNB
- WRAS 240102021

	Platinum	33 800 861-08
	Chrome	33 800 861-00
	Brushed Platinum	33 800 861-06
	Durabrace (23kt Gold)	33 800 861-09
	Dark Chrome	33 800 861-19
	Brushed Durabrace (23kt Gold)	33 800 861-28
	Matte Black	33 800 861-33
	Brushed Champagne (22kt Gold)	33 800 861-46
	Champagne (22kt Gold)	33 800 861-47
	Brushed Chrome	33 800 861-93
	Brushed Dark Platinum	33 800 861-99

**Recommended miscellaneous**

**Swivel limitation set -** 12 820 970 90



**Recommended miscellaneous**

**Strainer waste with control handle - Platinum** 10 712 970-08

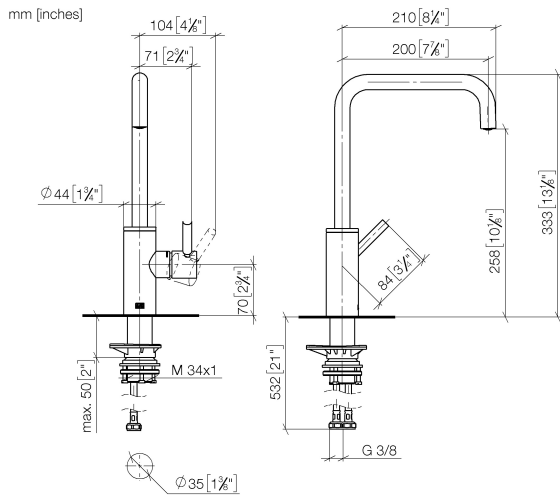


**Recommended miscellaneous**

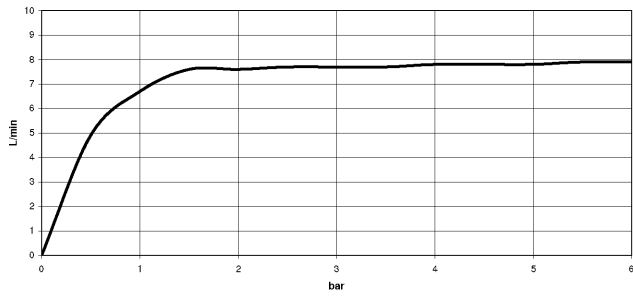
**Dispenser without rosette - Platinum** 82 424 970-08



33 800 861



**Flow rate chart**



**Certificates**

LGA\_38642.

WRAS\_240102021.

33 800 861

