

META SQUARE BAR TAP Single-lever mixer - Brushed Champagne (22kt Gold)

META SQUARE

33 805 861



- 166mm projection
- pivotable spout 360°
- Optional swivel limiter available with swivel limiter set 12 820 970 90
- air-enriched flow
- max. flow 8 l/min at 3 bar flow pressure
- lead-free
- This product can help a building meet the requirements of Green Building Rating Systems, e.g. LEED®, BREEAM®, DGNB
- WRAS 240102021

| | | |
|--|-------------------------------|---------------|
| | Brushed Champagne (22kt Gold) | 33 805 861-46 |
| | Chrome | 33 805 861-00 |
| | Brushed Platinum | 33 805 861-06 |
| | Platinum | 33 805 861-08 |
| | Durabrand (23kt Gold) | 33 805 861-09 |
| | Dark Chrome | 33 805 861-19 |
| | Brushed Durabrand (23kt Gold) | 33 805 861-28 |
| | Matte Black | 33 805 861-33 |
| | Champagne (22kt Gold) | 33 805 861-47 |
| | Brushed Chrome | 33 805 861-93 |
| | Brushed Dark Platinum | 33 805 861-99 |

Recommended miscellaneous



Swivel limitation set - 12 820 970 90

Recommended miscellaneous



**Dispenser without rosette -
Brushed Champagne (22kt Gold)** 82 424 970-46

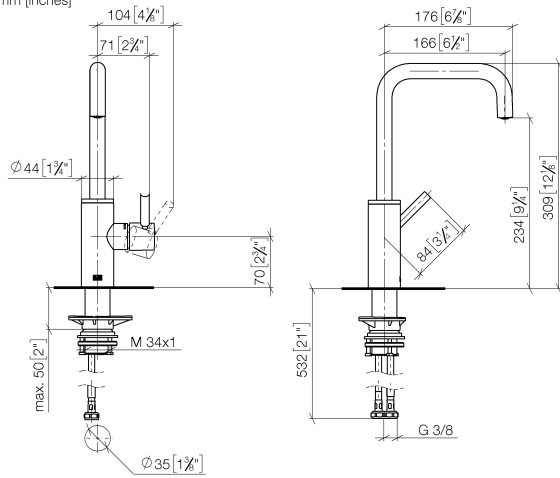
Recommended miscellaneous



**Strainer waste with control handle
- Brushed Champagne (22kt Gold)** 10 712 970-46

33 805 861

mm [inches]



Flow rate chart



Certificates

LGA_38642.

WRAS_240102021.

33 805 861



Spare parts list

| No. | Item Number | Name | Quantity used | Delivery time |
|--|--------------------|------------|---------------|---------------|
| 1 | 90 28 22 285 00-46 | spout | 1 | - |
| Spare part can no longer be ordered, please order the replacement item | | | | |
| 2 | 09 19 86 012-46 | cover | 1 | 60 |
| 3 | 90 15 05 042 00 90 | cartridge | 1 | 2 |
| 4 | 09 24 04 266 90 | nut | 1 | 2 |
| 5 | 09 14 10 091 90 | seal | 1 | 2 |
| 6 | 90 28 30 052 00-46 | cover | 1 | 30 |
| 7 | 90 20 66 003 00-46 | handle | 1 | - |
| Spare part can no longer be ordered, please order the replacement item | | | | |
| 8 | 04 23 10 044 08 90 | fixing set | 1 | 2 |
| 9 | 04 30 04 101 00 90 | hose | 2 | 2 |