

33 805 875



- 166mm projection
- pivotable spout 360°
- laminar flow
- height of mixer 303 mm
- height up to laminar flow regulator 186 mm
- hole diameter 35 mm
- max. flow 8 l/min at 3 bar flow pressure
- lead-free
- This product can help a building meet the requirements of Green Building Rating Systems, e.g. LEED®, BREEAM®, DGNB

| | | |
|---|--------------------------------|---------------|
|  | Brushed Chrome | 33 805 875-93 |
|  | Chrome | 33 805 875-00 |
|  | Brushed Platinum | 33 805 875-06 |
|  | Platinum | 33 805 875-08 |
|  | Durabronze (23kt Gold) | 33 805 875-09 |
|  | Dark Chrome | 33 805 875-19 |
|  | Brushed Durabronze (23kt Gold) | 33 805 875-28 |
|  | Matte Black | 33 805 875-33 |
|  | Brushed Champagne (22kt Gold) | 33 805 875-46 |
|  | Champagne (22kt Gold) | 33 805 875-47 |
|  | Brushed Dark Platinum | 33 805 875-99 |

Recommended miscellaneous

Dispenser without rosette - Brushed Chrome 82 424 970-93

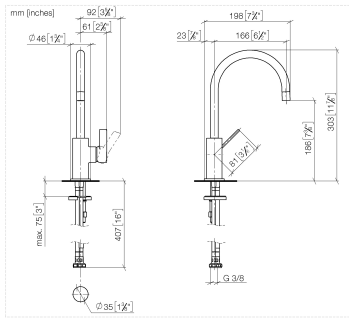


Recommended miscellaneous

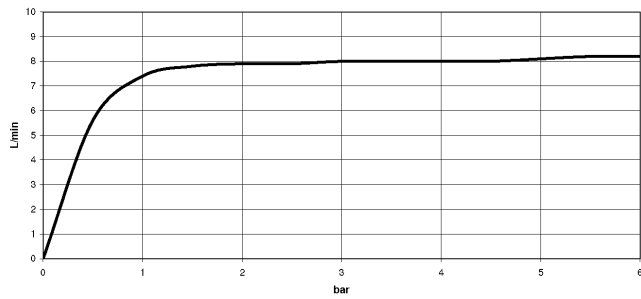
Strainer waste with control handle - Brushed Chrome 10 712 970-93



33 805 875



Flow rate chart



Certificates

LGA_18899.

33 805 875

Parts for other finishes can be found here: [Chrome](#)

