

33 870 888



- 240mm projection
- pivotable spout 360°
- Optional swivel limiter available with swivel limiter set 12 823 970 90
- laminar and spray flow
- 1800 mm metal shower hose
- sprayface with anti-scaling system
- max. flow 10.4 l/min at 3 bar flow pressure
- lead-free
- This product can help a building meet the requirements of Green Building Rating Systems, e.g. LEED®, BREEAM®, DGNB

Intrinsic protection against back flow.

|   |                                |               |
|---|--------------------------------|---------------|
|    | Brushed Chrome                 | 33 870 888-93 |
|    | Chrome                         | 33 870 888-00 |
|    | Brushed Platinum               | 33 870 888-06 |
|    | Platinum                       | 33 870 888-08 |
|    | Durabronze (23kt Gold)         | 33 870 888-09 |
|    | Dark Chrome                    | 33 870 888-19 |
|    | Brushed Durabronze (23kt Gold) | 33 870 888-28 |
|    | Matte Black                    | 33 870 888-33 |
|    | Brushed Champagne (22kt Gold)  | 33 870 888-46 |
|   | Champagne (22kt Gold)          | 33 870 888-47 |
|  | Brushed Dark Platinum          | 33 870 888-99 |

Recommended miscellaneous

Swivel limitation set -

12 823 970 90



Recommended miscellaneous

Strainer waste with control handle - Brushed Chrome 10 710 970-93

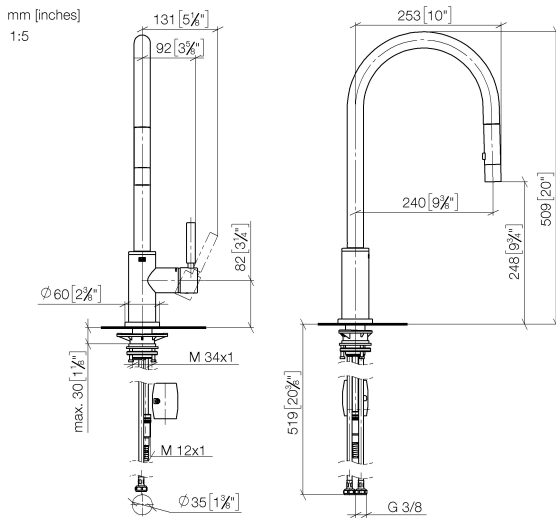


Recommended miscellaneous

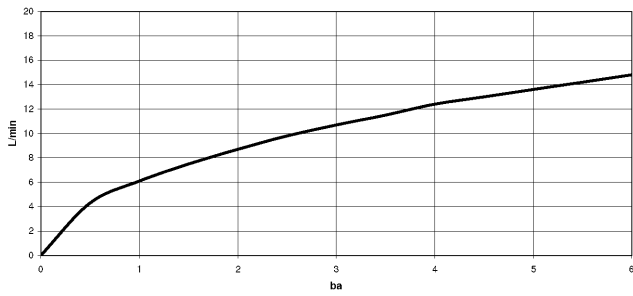
Dispenser with rosette - Brushed Chrome 82 444 970-93



33 870 888



Flow rate chart

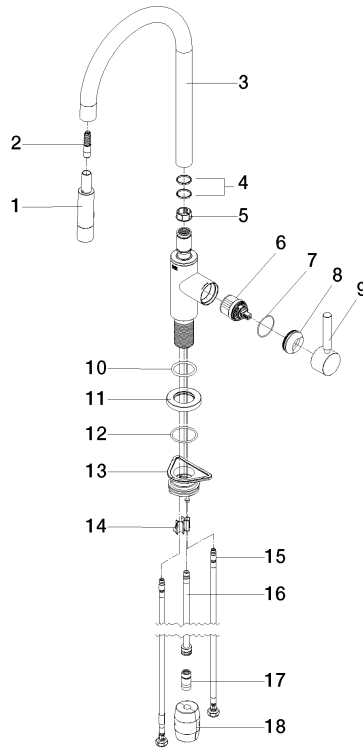


Certificates

LGA\_38636.

Belgaqua\_24-005-  
27\_3.

33 870 888



### Spare parts list

| No.  | Item Number        | Name        | Quantity used | Delivery time |
|--|--------------------|-------------|---------------|---------------|
| 1  | 90 12 11 148 00-93 | shower      | 1             | 20            |
| 2  | 04 30 02 120 00-85 | hose        | 1             | 30            |
| 3  | 90 28 22 304 00-93 | spout       | 1             | 20            |
| 4  | 09 28 10 160 90    | ring        | 2             | 2             |
| 5  | 09 18 40 186 90    | sleeve      | 1             | 2             |
| 6  | 90 15 05 064 05 90 | cartridge   | 1             | 2             |
| 7  | 09 14 10 190 90    | seal        | 1             | 2             |
| 8  | 09 28 30 030-93    | cover       | 1             | 60            |
| 9  | 90 20 66 027 00-93 | handle      | 1             | 20            |
| 10   | 09 14 10 036 90    | seal        | 1             | 2             |
| 11   | 90 27 22 047 00-93 | rosette     | 1             | -             |
| Spare part can no longer be ordered, please order the replacement item |                    |             |               |               |
| 12   | 09 14 10 050 90    | seal        | 1             | 2             |
| 13   | 04 30 11 040 00 90 | fixing set  | 1             | 2             |
| 14   | 09 20 93 056 90    | insert      | 1             | 2             |
| 15   | 04 30 04 101 00 90 | hose        | 2             | 2             |
| 16   | 04 28 20 067 00 90 | pipe        | 1             | 2             |
| 17   | 90 24 03 253 00 90 | adaptor     | 1             | 2             |
| 18   | 04 21 50 010 00 90 | accessories | 1             | 2             |