

33 875 760



- 225mm projection
- pivotable spout 130°
- air-enriched flow and spray flow
- height of mixer 254 mm
- height up to aerator 179 mm
- hole diameter 35 mm
- 1600mm metal shower hose
- max. flow 9.6 l/min at 3 bar flow pressure
- lead-free
- This product can help a building meet the requirements of Green Building Rating Systems, e.g. LEED®, BREEAM®, DGNB

Intrinsic protection against back flow.

Recommended miscellaneous

Strainer waste with control handle 10 712 970-06
- Brushed Platinum

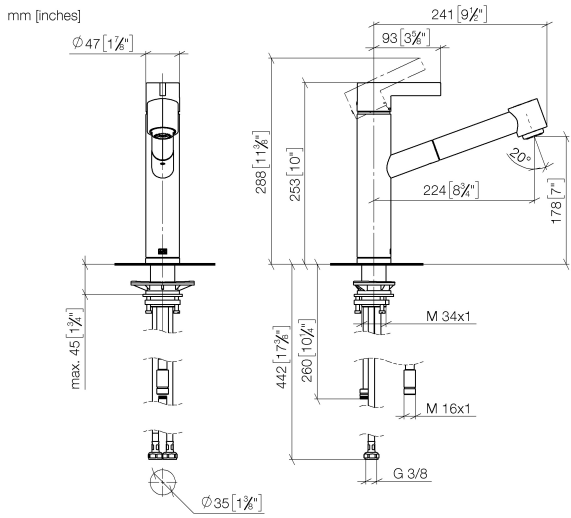


Recommended miscellaneous

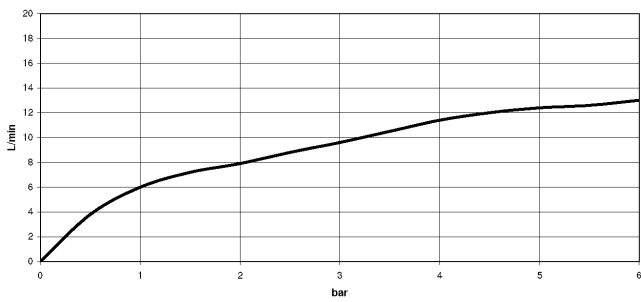
Dispenser without rosette - 82 424 970-06
Brushed Platinum



33 875 760



Flow rate chart



Codes & Standards

DIN 4109

EN 1717

Executive Order
no. 1007

ISO 3822

Ü-Zeichen



ENO Single-lever mixer Pull-out with spray function - Brushed Platinum

ENO

33 875 760

Certificates

GDV_0400

LGA_28

Belgaqua_21-027-2

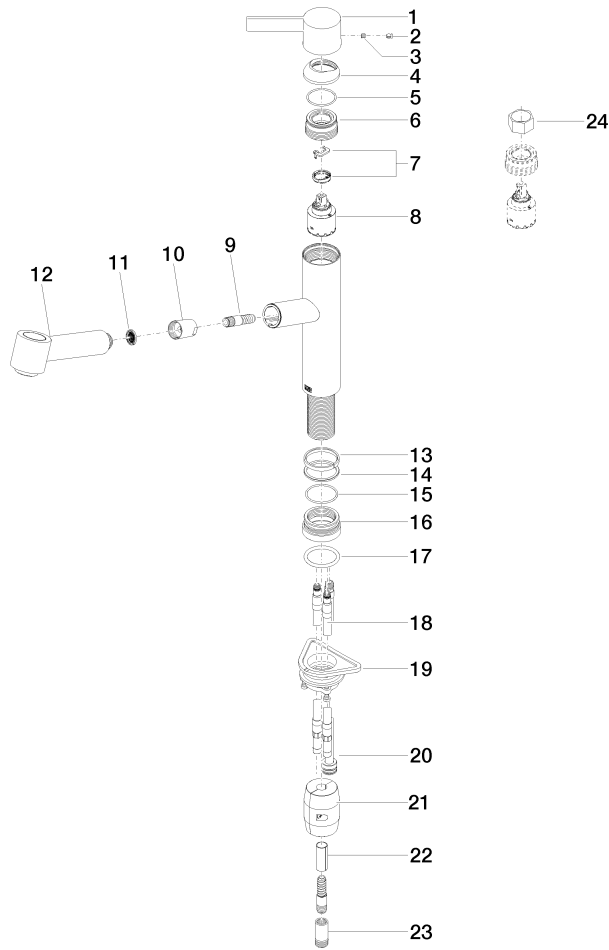
33 875 760

Product version from 2/26/2015 to 3/5/2020

Product version from 3/5/2020 to 1/7/2021

Product version from 1/7/2021 to 5/7/2021

Product version from 5/7/2021





ENO Single-lever mixer Pull-out with spray function - Brushed Platinum

ENO

33 875 760

Spare parts list

Product version from 2/26/2015 to 3/5/2020

Product version from 3/5/2020 to 1/7/2021

Product version from 1/7/2021 to 5/7/2021

Product version from 5/7/2021

No.	Item Number	Name	Quantity used	Delivery time
	09 20 76 001-06	handle	25	10