

ENO Single-lever mixer Pull-out with spray function - Platinum

ENO

33 875 760



- 225mm projection
- pivotable spout 130°
- air-enriched flow and spray flow
- height of mixer 254 mm
- height up to aerator 179 mm
- hole diameter 35 mm
- 1600mm metal shower hose
- max. flow 9.6 l/min at 3 bar flow pressure
- lead-free
- This product can help a building meet the requirements of Green Building Rating Systems, e.g. LEED®, BREEAM®, DGNB

Intrinsic protection against back flow.

	Platinum	33 875 760-08
	Chrome	33 875 760-00
	Brushed Platinum	33 875 760-06
	Dark Chrome	33 875 760-19
	Brushed Durabronze (23kt Gold)	33 875 760-28
	Brushed Champagne (22kt Gold)	33 875 760-46
	Champagne (22kt Gold)	33 875 760-47
	Brushed Chrome	33 875 760-93
	Brushed Dark Platinum	33 875 760-99

Recommended miscellaneous

Strainer waste with control handle - Platinum 10 712 970-08

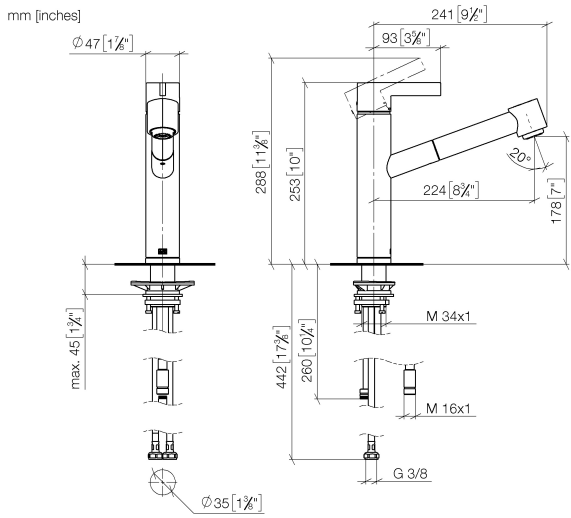


Recommended miscellaneous

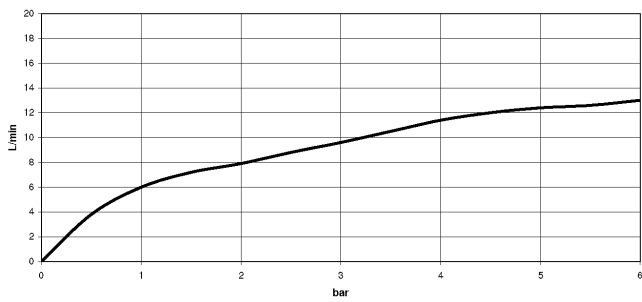
Dispenser without rosette - Platinum 82 424 970-08



33 875 760



Flow rate chart



Codes & Standards

DIN 4109

EN 1717

Executive Order
no. 1007

ISO 3822

Ü-Zeichen



ENO Single-lever mixer Pull-out with spray function - Platinum

ENO

33 875 760

Certificates

GDV_0400

LGA_28

Belgaqua_21-027-2

33 875 760

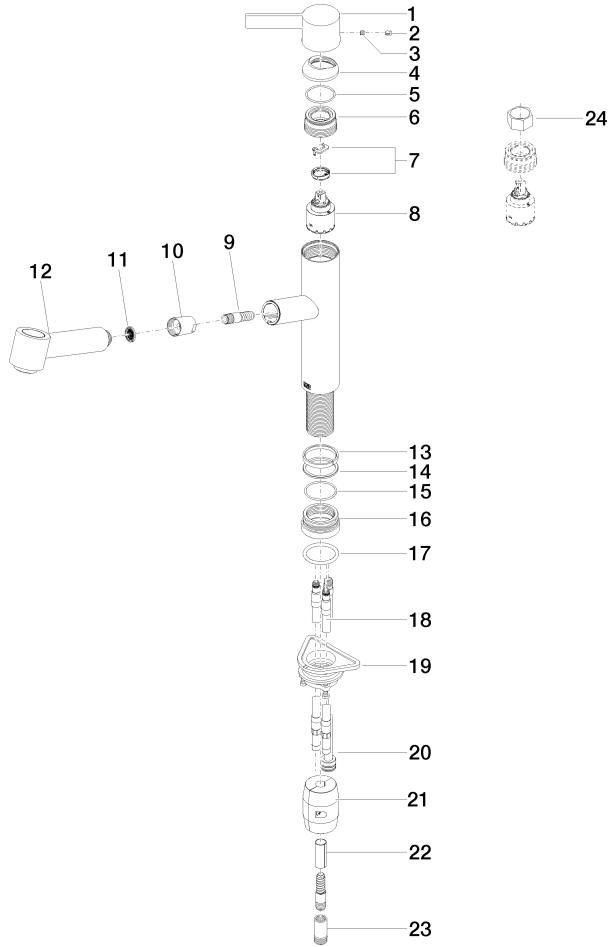
Product version from 2/26/2015 to 3/5/2020

Product version from 3/5/2020 to 1/7/2021

Product version from 1/7/2021 to 5/7/2021

Product version from 5/7/2021

Parts for other finishes can be found here: [Chrome](#)





ENO Single-lever mixer Pull-out with spray function - Platinum

ENO

33 875 760

Spare parts list

Product version from 2/26/2015 to 3/5/2020

Product version from 3/5/2020 to 1/7/2021

Product version from 1/7/2021 to 5/7/2021

Product version from 5/7/2021

No.	Item Number	Name	Quantity used	Delivery time
	09 20 76 001-08	handle	25	40