

33 875 895



- 240mm projection
- pivotable spout 360°
- Optional swivel limiter available with swivel limiter set 12 821 970 90
- laminar and spray flow
- height of mixer 420 mm
- height up to laminar flow regulator 240 mm
- hole diameter 35 mm
- 1800 mm metal shower hose
- sprayface with anti-scaling system
- max. flow 10.4 l/min at 3 bar flow pressure
- lead-free
- This product can help a building meet the requirements of Green Building Rating Systems, e.g. LEED®, BREEAM®, DGNB

Intrinsic protection against back flow.

| | | |
|---|-------------------------------|---------------|
|  | Durabron (23kt Gold) | 33 875 895-09 |
|  | Chrome | 33 875 895-00 |
|  | Brushed Platinum | 33 875 895-06 |
|  | Platinum | 33 875 895-08 |
|  | Dark Chrome | 33 875 895-19 |
|  | Brushed Durabron (23kt Gold) | 33 875 895-28 |
|  | Matte Black | 33 875 895-33 |
|  | Brushed Champagne (22kt Gold) | 33 875 895-46 |
|  | Champagne (22kt Gold) | 33 875 895-47 |
|  | Brushed Chrome | 33 875 895-93 |
|  | Brushed Dark Platinum | 33 875 895-99 |

Recommended miscellaneous

Swivel limitation set - 12 821 970 90



Recommended miscellaneous

Dispenser without rosette - Durabron (23kt Gold) 82 424 970-09

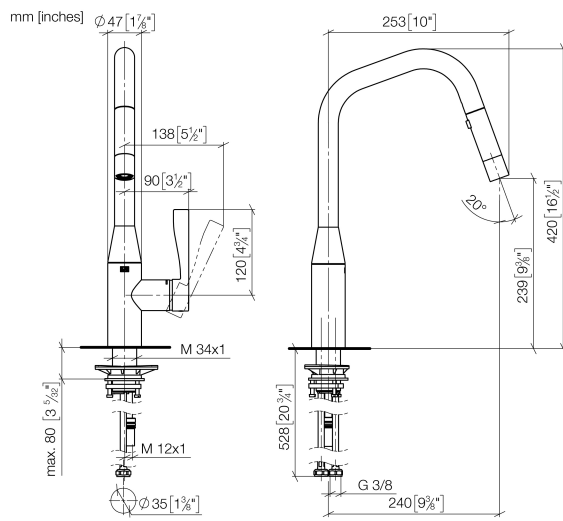


Recommended miscellaneous

Strainer waste with control handle - Durabron (23kt Gold) 10 712 970-09



33 875 895



Flow rate chart



Certificates

GDV_0400314.

33 875 895

