

**TARA Shower pipe with shower thermostat without hand shower FlowReduce
220 mm - Brushed Platinum**

TARA

34 458 892



- shower with fixed riser projection 452mm
- Rain shower: PURE RAIN, max. flow rate 7 l/min (at 3 bar)
- Function from: 6 l/min
- rain shower Ø 220 mm
- rain shower with anti-scale system
- rotary diverter with volume control and shut-off function
- slide-on rosettes Ø 70 mm
- height of fittings up to rain shower (bottom edge) 964mm
- height of fittings up to top edge of elbow 1267mm
- gauge 150 mm - 13 mm
- metal shower hose 1750mm with integrated anti-twist protection
- 1/2" connection
- slide bar
- Pipe diameter 23.5 mm
- This product can help a building meet the requirements of Green Building Rating Systems, e.g. LEED®, BREEAM®, DGNB
- WRAS 2204013

This article does not include a hand shower!

Intrinsic protection against back flow.


	Brushed Platinum	34 458 892-06
	Chrome	34 458 892-00
	Platinum	34 458 892-08
	Dark Chrome	34 458 892-19
	Brushed Durabronze (23kt Gold)	34 458 892-28
	Matte Black	34 458 892-33
	Brushed Bronze	34 458 892-42
	Brushed Champagne (22kt Gold)	34 458 892-46
	Champagne (22kt Gold)	34 458 892-47
	Brushed Chrome	34 458 892-93
	Brushed Dark Platinum	34 458 892-99

**TARA Shower pipe with shower thermostat without hand shower FlowReduce
220 mm - Brushed Platinum**


TARA

34 458 892

Required miscellaneous

	Hand shower - Brushed Platinum	28 017 979-06
---	---------------------------------------	---------------


Required miscellaneous

	Hand shower - Brushed Platinum	28 016 979-06
---	---------------------------------------	---------------


Required miscellaneous

	Hand shower - Brushed Platinum	28 012 979-06
---	---------------------------------------	---------------

Required miscellaneous

	Hand shower FlowReduce - Brushed Platinum	28 016 979-06 0010
---	--	-----------------------

Required miscellaneous

	Hand shower FlowReduce - Brushed Platinum	28 018 979-06 0010
---	--	-----------------------

Required miscellaneous

	SERIES-VARIOUS Hand shower FlowReduce - Brushed Platinum	28 029 979-06 0010
---	---	-----------------------


Required miscellaneous

	SERIES-VARIOUS Hand shower - Brushed Platinum	28 029 979-06
---	--	---------------

Required miscellaneous

	SERIES-VARIOUS Hand shower FlowReduce - Brushed Platinum	28 025 979-06 0010
---	---	-----------------------


Required miscellaneous

	Hand shower FlowReduce - Brushed Platinum	28 012 979-06 0010
---	--	-----------------------

Required miscellaneous

	Hand shower - Brushed Platinum	28 016 979-06
---	---------------------------------------	---------------

Required miscellaneous

	Hand shower FlowReduce - Brushed Platinum	28 016 979-06 0010
---	--	-----------------------

Required miscellaneous

	Hand shower - Brushed Platinum	28 018 979-06
---	---------------------------------------	---------------

Required miscellaneous

	SERIES-VARIOUS Hand shower FlowReduce - Brushed Platinum	28 029 979-06 0010
---	---	-----------------------

Required miscellaneous

	SERIES-VARIOUS Hand shower - Brushed Platinum	28 029 979-06
---	--	---------------

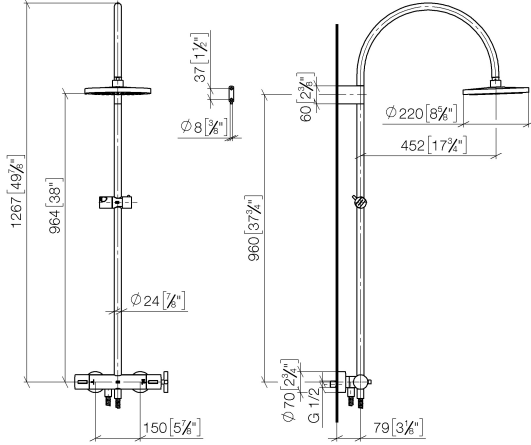
Required miscellaneous

	SERIES-VARIOUS Hand shower FlowReduce - Brushed Platinum	28 027 979-06 0010
---	---	-----------------------

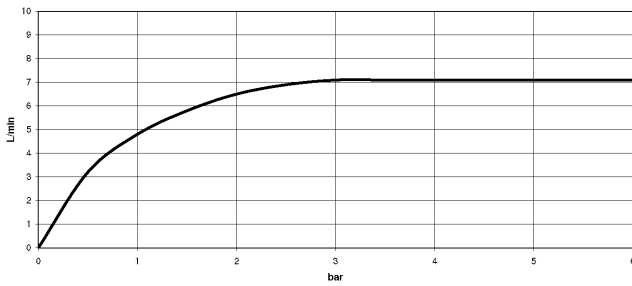
**TARA Shower pipe with shower thermostat without hand shower FlowReduce
220 mm - Brushed Platinum**

TARA

34 458 892
mm [inches]
1:10



Flow rate chart



Codes & Standards

DIN 4109	EN 1717	ISO 3822	Scottish Water Byelaws
UK Water Supply Regulations	Ü-Zeichen		



TARA Shower pipe with shower thermostat without hand shower FlowReduce
220 mm - Brushed Platinum

TARA

34 458 892

Certificates

WRAS_2204

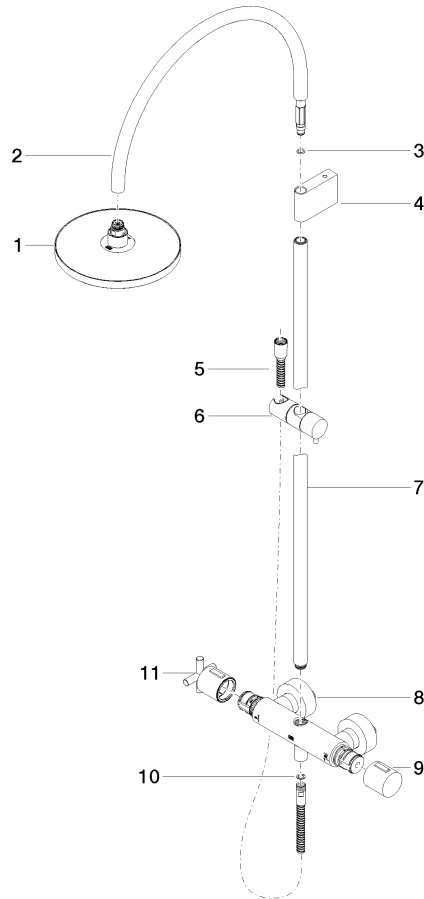
LGA_38

Belgaqua_22_283_2

34 458 892

Product version from 5/1/2022

Parts for other
finishes can be found
here: [Chrome](#)





TARA Shower pipe with shower thermostat without hand shower FlowReduce
220 mm - Brushed Platinum

TARA

34 458 892

Spare parts list

Product version from 5/1/2022

No.	Item Number	Name	Quantity used	Delivery time
	90 12 05 092 20-06	shower	11	10