

35 044 970 90 Product version from 4/1/2022



- concealed rough parts
- 2x female thread 1/2" connections
- flush-mounted installation box 360x 300 mm RAL 9003 signal white
- For simultaneous control of the jet types, we recommend the xTool thermostat module

Separate LED power supply

Input LED power supply

- Electricity supply: 100-240 V AC, 50-60 Hz, 20 W

Output LED power supply

- 12V DC (CV)

Output specification LED power supply

- SELV (Safety Extra Low Voltage)
- Class 2

Ceiling module power supply

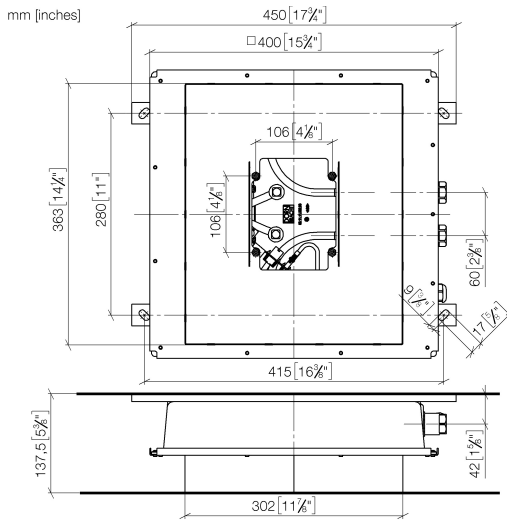
- 12V DC (CV)
- Supply pipe 7 m

Activation

- ZigBee Light Link RGBW controller
- Provided by customer: Zigbee gateway
- Not suitable for outdoor use.
- Not suitable for use in a steam room.
- Not suitable for use in chlorinated or salty environments.
- Comply with the protection zone regulations as defined in DIN VDE 0100, Part 701 (IEC 60364-7-701).
- Dornbracht recommends consulting a systems integrator.
- WRAS

Pre-assembly kit for three-way diverter included

35 044 970 90 Product version from 4/1/2022



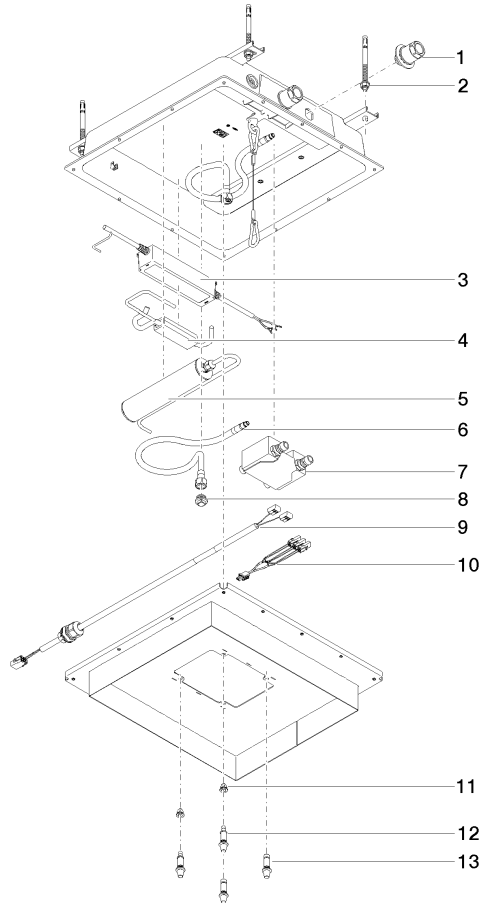
Codes & Standards

Scottish Water
Byelaws

UK Water Supply
Regulations

Certificates and sustainability

WRAS_240502



Spare parts list

No.	Item Number	Name	Quantity used	Delivery time
6	04 30 04 097 00 90	hose	2.00	60
10	90 10 01 228 00 90	electronic accessories	1.00	2
8	09 31 20 042 90	plug	2.00	2
7	90 30 01 216 10 90	Venting service kit	1.00	2
1	90 24 03 305 00 90	fixing set	2.00	2
9	90 10 01 229 00 90	electronic accessories	1.00	2
2	04 30 35 008 00 90	fixing set	1.00	2
3	90 10 01 212 00 90	electronic accessories	1.00	2
4	90 10 01 214 00 90	electronic accessories	1.00	2
11	90 14 03 189 00 90	plug	1.00	2
5	90 10 01 211 00 90	electronic accessories	2.00	2
12	90 30 01 215 01 90	fixing set	2.00	2
13	90 30 01 215 00 90	fixing set	2.00	2