

Concealed thermostat with built-in isolators -

35 428 970 90



- pre-seal
 - lead-free, dezincification resistant
 - 2x back flow preventer
 - 3x outlet G 1/2"
 - 2x female thread 1/2" connections
 - dust cover
 - anti-water packing
 - sound and thermal insulation
 - gauge 70 mm
 - suitable for xGRID (when using installation track + 12 mm recess depth)
- Can only be combined with exposed trim parts
36 427 SSS-FF**

Can only be combined with exposed trim parts 36
427 SSS-FF

Required miscellaneous



Leak protection 1/2" -
• This article is needed 2x.

12 010 970 90

Recommended miscellaneous



**xGRID Attachment set for
integrating in the dry wall
construction -**

12 340 970 90

Required miscellaneous

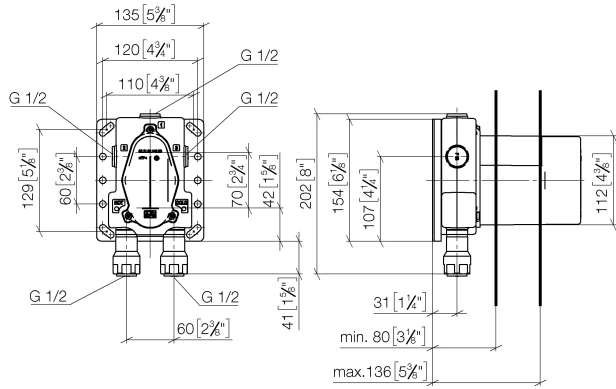


xGRID Installation track 555 mm - 12 360 970 90

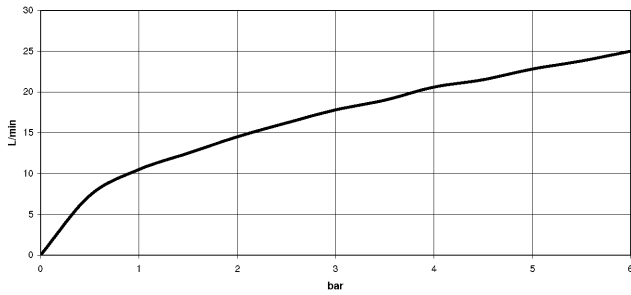
Concealed thermostat with built-in isolators -

35 428 970 90

mm [inches]



Flow rate chart

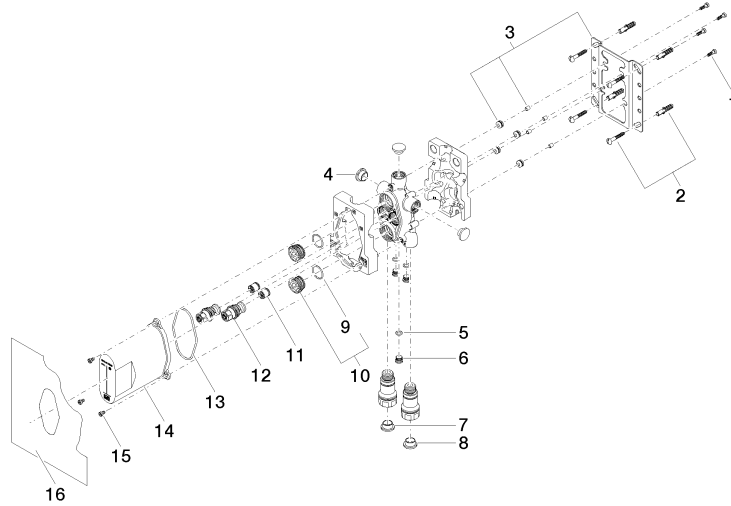


Certificates

Belgaqua_22_279_2 DVGW_DW- WRAS_1906098.
7_6. 6512DN0119.

Concealed thermostat with built-in isolators -

35 428 970 90



Spare parts list

No.	Item Number	Name	Quantity used	Delivery time
1	09 30 30 171 90	screw	4	2
2	04 30 31 024 01 90	fixing set	2	2
3	04 17 20 127 00 90	holder	1	2
4	09 31 20 092 90	plug	4	2
5	09 14 10 139 90	seal	3	2
6	04 31 20 039 11 90	plug	3	2
7	09 31 20 093 90	plug	1	2
8	09 31 20 094 90	plug	1	2
9	09 14 10 112 90	seal	2	2
10	04 30 11 149 00 90	plug	2	2
11	90 23 01 040 00 90	back-flow preventer	2	2
12	04 29 05 031 01 90	insert	2	2
13	09 14 10 512 90	seal	1	2
14	04 21 02 146 00 90	cap	1	2
15	09 30 30 112 90	screw	3	2
16	04 14 03 080 00 90	gasket kit	1	2