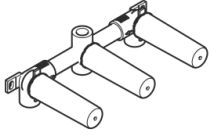


Concealed wall-mounted mixer centred spout -

35 707 970 90 Product version from 4/1/2022



- 3x dust cover
- 2x female thread 1/2" connections
- 1x female thread 1/2" outlet
- 3x sealing plug 1/2"
- gauge 100 mm
- lead-free

Recommended miscellaneous

Leak protection 1/2" -

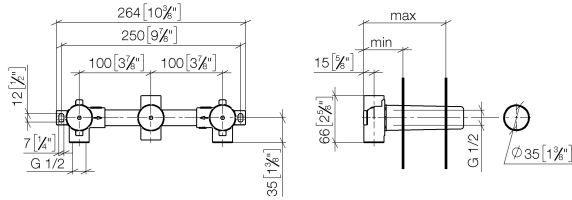
12 010 970 90



Concealed wall-mounted mixer centred spout -

35 707 970 90 Product version from 4/1/2022

mm [inches]



	min	max
Madison	55 [2 1/8"]	115 [4 1/2"]
Square	55 [2 1/8"]	110 [4 3/8"]
Circle	55 [2 1/8"]	130 [5 1/8"]
Vaia	60 [2 3/8"]	132 [5 1/4"]
Domicil	60 [2 1/2"]	100 [3 7/8"]
Deque	70 [2 3/4"]	135 [5 3/8"]
Gentle	70 [2 3/4"]	135 [5 3/8"]
LaFleur	70 [2 3/4"]	135 [5 3/8"]
Selv	70 [2 3/4"]	135 [5 3/8"]
Supernova	70 [2 3/4"]	135 [5 3/8"]
Symetrics	70 [2 3/4"]	135 [5 3/8"]
Tara	70 [2 3/4"]	135 [5 3/8"]
CL_2	93 [3 5/8"]	115 [4 1/2"]
MEM	93 [3 5/8"]	138 [5 3/8"]
CL_1	93 [3 5/8"]	138 [5 3/8"]
La Fleur Cl.	102 [4"]	144 [5 5/8"]

Codes & Standards

EN 200

VA-Zeichen

XP P 41-280

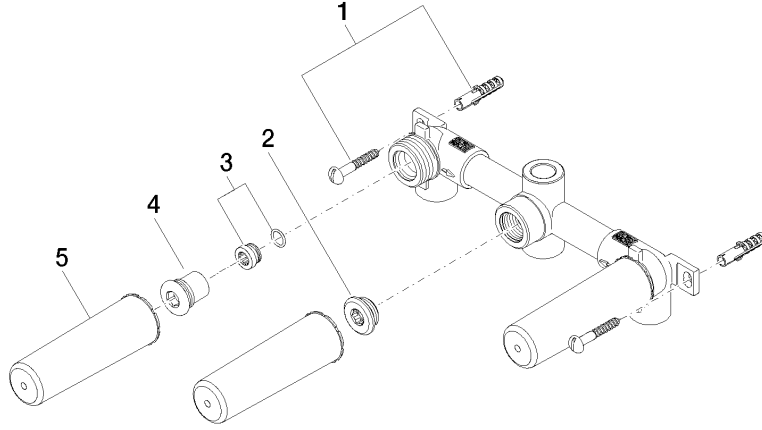
Certificates

ETA_19

ACS_20 ACC LY

Concealed wall-mounted mixer centred spout -

35 707 970 90 Product version from 4/1/2022



Spare parts list

No.	Item Number	Name	Quantity used	Delivery time
1	04 30 31 024 01 90	fixing set	2	2
2	04 31 20 006 00 90	plug	1	2
3	04 29 05 018 10 90	nipple	2	2
4	04 31 20 037 00 90	plug	2	2
5	09 21 02 102 90	cap	3	2