

**Concealed single-lever mixer with integrated shower connection with shower set without hand shower - Brushed Platinum**

IMO

36 013 970



Fits: IMO, MEM, CL.1

- cover plate 80 x 80 mm
- metal shower hose 1750mm with integrated anti-twist protection
- slide bar
- Pipe diameter 18 mm
- WRAS 2011027

**This article does not include a hand shower!**

**Intrinsic protection against back flow.**

**Article cannot be extended, please check the depth of the installation location!**

This article does not include a hand shower!

Intrinsic protection against back flow.

Article cannot be extended, please check the depth of the installation location!

	Brushed Platinum	36 013 970-06
	Chrome	36 013 970-00
	Platinum	36 013 970-08
	Dark Chrome	36 013 970-19
	Brushed Durabronze (23kt Gold)	36 013 970-28
	Matte Black	36 013 970-33
	Brushed Champagne (22kt Gold)	36 013 970-46
	Champagne (22kt Gold)	36 013 970-47
	Brushed Chrome	36 013 970-93
	Brushed Dark Platinum	36 013 970-99

**Required miscellaneous**

	<b>Concealed wall mounting -</b> •max. recess depth 103 mm •min. recess depth 78 mm	35 003 970 00
--	---	---------------

**Required miscellaneous**

	<b>Hand shower FlowReduce - Brushed Platinum</b>	28 012 979-06 0010
--	--	-----------------------

**Required miscellaneous**

	<b>Hand shower - Brushed Platinum</b>	28 012 979-06
--	---------------------------------------	---------------

**Required miscellaneous**

	<b>Hand shower - Brushed Platinum</b>	28 018 979-06
--	---------------------------------------	---------------

**Required miscellaneous**

	<b>SERIES-VARIOUS Hand shower - Brushed Platinum</b>	28 029 979-06 0010
--	--	-----------------------

**Required miscellaneous**

	<b>SERIES-VARIOUS Hand shower - Brushed Platinum</b>	28 027 979-06 0010
--	--	-----------------------

**Required miscellaneous**

	<b>Hand shower - Brushed Platinum</b>	28 017 979-06
--	---------------------------------------	---------------

**Required miscellaneous**

	<b>Hand shower - Brushed Platinum</b>	28 016 979-06
--	---------------------------------------	---------------

**Required miscellaneous**

	<b>Hand shower FlowReduce - Brushed Platinum</b>	28 016 979-06 0010
--	--	-----------------------

**Required miscellaneous**

	<b>Hand shower FlowReduce - Brushed Platinum</b>	28 018 979-06 0010
--	--	-----------------------

**Required miscellaneous**

	<b>SERIES-VARIOUS Hand shower - Brushed Platinum</b>	28 029 979-06
--	--	---------------

**Required miscellaneous**

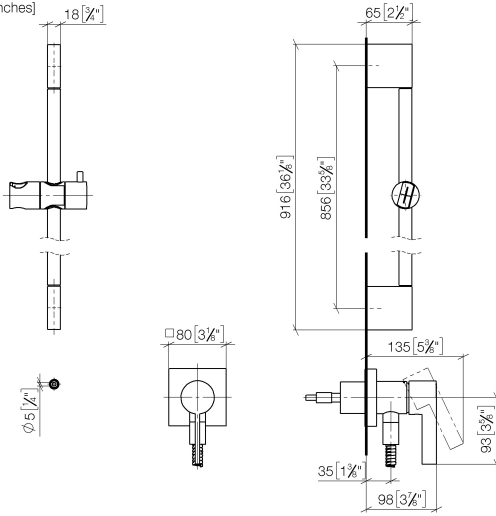
	<b>SERIES-VARIOUS Hand shower - Brushed Platinum</b>	28 025 979-06 0010
--	--	-----------------------

**Concealed single-lever mixer with integrated shower connection with shower set without hand shower - Brushed Platinum**

IMO

36 013 970

mm [inches]



**Codes & Standards**

DIN 4109

EN 1717

ISO 3822

Scottish Water  
Byelaws

UK Water Supply  
Regulations

Ü-Zeichen

**Certificates**

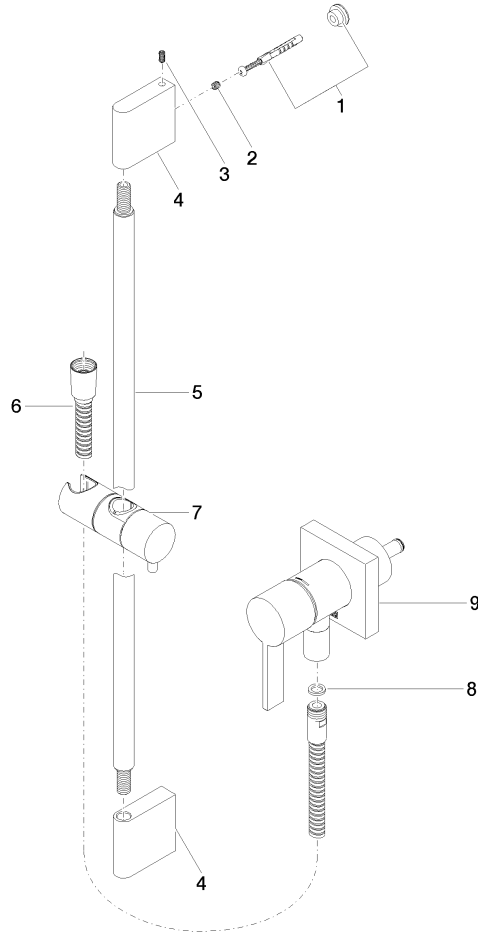
Belgaqua\_21-025-2 LGA\_29

WRAS\_2011

Concealed single-lever mixer with integrated shower connection with shower set without hand shower - Brushed Platinum

IMO

36 013 970





Concealed single-lever mixer with integrated shower connection with shower set without hand shower - Brushed Platinum

IMO

36 013 970

**Spare parts list**

No.	Item Number	Name	Quantity used	Delivery time
	05 17 20 726 02 90	fixing set	12	2