

Wall valve anti-clockwise closing hot 1/2" - Chrome

36 607 742 Product version from 7/1/2023



- without rosette
- handle Ø 60mm
- with hot marking
- head part with cut-to-length spindle and sleeve
- WRAS

	Chrome	36 607 742-00
	Brushed Platinum	36 607 742-06
	Dark Chrome	36 607 742-19
	Brushed Durabronze (23kt Gold)	36 607 742-28
	Matte Black	36 607 742-33
	Brushed Champagne (22kt Gold)	36 607 742-46
	Champagne (22kt Gold)	36 607 742-47
	Brushed Dark Platinum	36 607 742-99

Required miscellaneous



- Wall valve 1/2" -**
- max. recess depth mm
 - min. recess depth mm

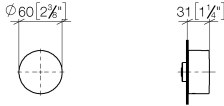
35 607 970 90



Wall valve anti-clockwise closing hot 1/2" - Chrome

36 607 742 Product version from 7/1/2023

mm [inches]



Codes & Standards

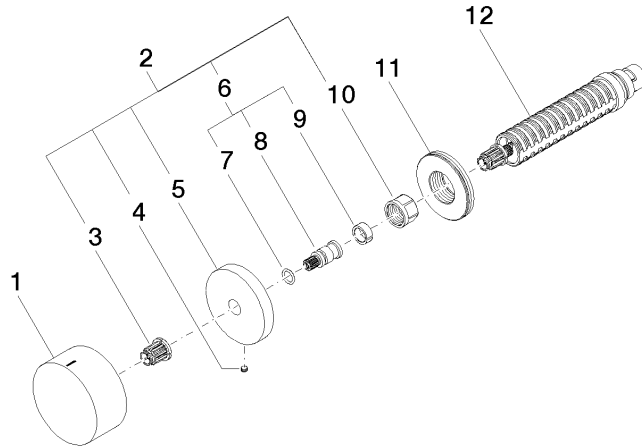
ASME A112.18.1	cUPC	DIN 4109	EN 200
ISO 3822	Scottish Water Byelaws	UK Water Supply Regulations	Ü-Zeichen

Certificates

DVGW_DW-6501DN0	LGA_38	LGA_29	WRAS_2010	LGA_29
IAPMO_4976 (

Wall valve anti-clockwise closing hot 1/2" - Chrome

36 607 742 Product version from 7/1/2023



Spare parts list

No.	Item Number	Name	Quantity used	Delivery time
1	09 20 74 021-00	handle (hot)	1	10
2	04 27 74 004 00-00	rosette	1	10
3	90 12 12 002 00 90	fixing cap	1	2
4	09 31 11 055 90	pin	1	2
5	09 27 74 004-00	rosette	1	10
6	04 29 06 020 00-00	spindle	1	10
7	90 14 10 060 00 90	seal	1	2
8	09 29 06 020-00	spindle	1	10
9	90 14 15 020 03 90	ring	1	2
10	90 23 30 023 00 90	nut	1	2
11	09 30 01 107 90	sleeve	1	2
12	90 90 03 142 00 90	top	1	2