






CYO Wall-mounted single-lever basin mixer without pop-up waste - Chrome

CYO

36 860 811



- 160mm projection
- fixed spout
- rectangular, air-enriched flow
- hole diameter spout 37 mm
- hole diameter single-lever mixer 57 mm
- rosette for mixer 80 x 80mm
- max. flow 4.5 l/min
- lead-free
- This product can help a building meet the requirements of Green Building Rating Systems, e.g. LEED®, BREEAM®, DGNB
- WRAS 2107047

| | | |
|--|----------------------------------|---------------|
|  | Chrome | 36 860 811-00 |
|  | Brushed Platinum | 36 860 811-06 |
|  | Dark Chrome | 36 860 811-19 |
|  | Brushed Durabress (23kt Gold) | 36 860 811-28 |
|  | Brushed Dark Platinum | 36 860 811-99 |

Required miscellaneous

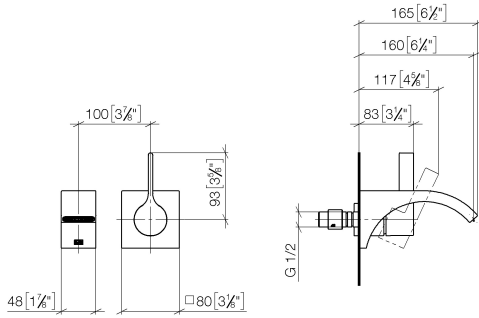


Concealed wall-mounted single-lever mixer - 35 860 970 90

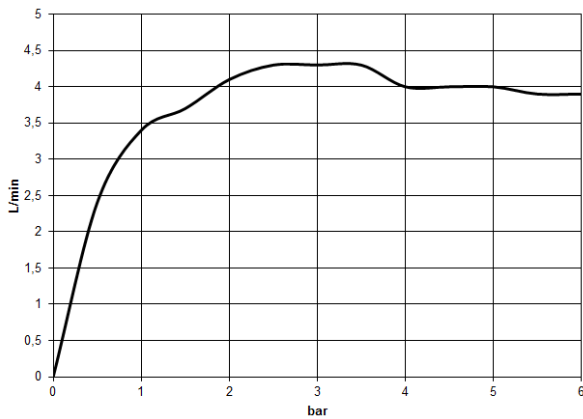
- max. recess depth 95 mm
- min. recess depth 80 mm

36 860 811

mm [inches]



Flow rate chart



Codes & Standards

| | | | |
|-----------------------------|-----------|------------|------------------------|
| ASME A112.18.1 | cUPC | DIN 4109 | EPA WaterSense |
| ISO 3822 | NSF372 | NSF61 | Scottish Water Byelaws |
| UK Water Supply Regulations | Ü-Zeichen | WaterSense | |



CYO Wall-mounted single-lever basin mixer without pop-up waste - Chrome

CYO

36 860 811

Certificates

LGA_38

IAPMO_4976

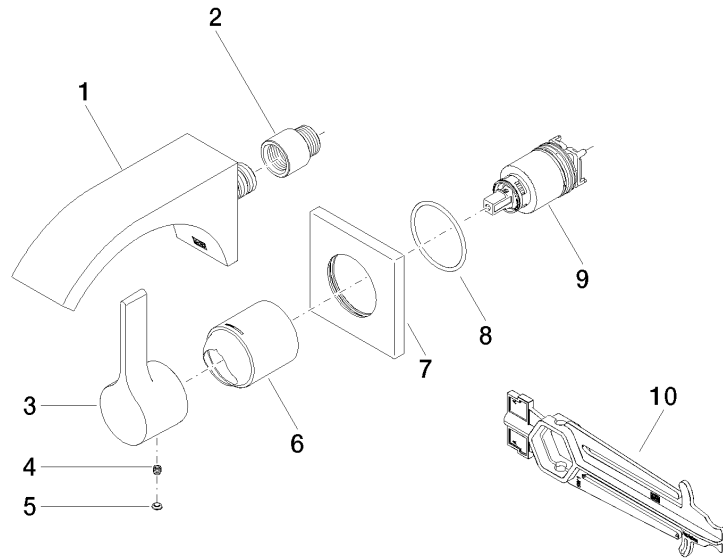
WRAS_2107

IAPMO_8834

IAPMO_6397

IAPMO_N-4976

36 860 811





CYO Wall-mounted single-lever basin mixer without pop-up waste - Chrome

CYO

36 860 811

Spare parts list

| No. | Item Number | Name | Quantity used | Delivery time |
|-----|---------------|--|---------------|---------------|
| | 13 800 811-00 | CYO Wall-mounted basin spout without pop-up waste - Chrome | 10 | 10 |