





DORNBACHT YAMOU Wall-mounted single-lever basin mixer without pop-up waste - Chrome

36 860 831 Product version from 1/1/2023



- 170mm projection
- fixed spout
- circular, air-enriched flow
- hole diameter spout 37 mm
- hole diameter single-lever mixer 57 mm
- rosette for spout Ø 60mm
- max. flow 6.8 l/min
- rosette for mixer Ø 78mm
- WRAS

	Chrome	36 860 831-00
	Soft Black	36 860 831-69

Required miscellaneous

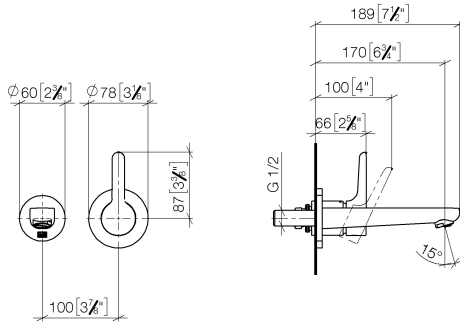


EDITION PRO Concealed wall-mounted single-lever mixer mixer on right - 35 870 970 90



DORNBRACHT YAMOU Wall-mounted single-lever basin mixer without pop-up waste - Chrome

36 860 831 Product version from 1/1/2023
mm [inches]



Flow rate chart



Codes & Standards

DIN 4109

ISO 3822

Scottish Water
Byelaws

UK Water Supply
Regulations

Ü-Zeichen

XP P 41-280



DORNBACHT YAMOU Wall-mounted single-lever basin mixer without pop-up waste - Chrome

36 860 831 Product version from 1/1/2023

Certificates

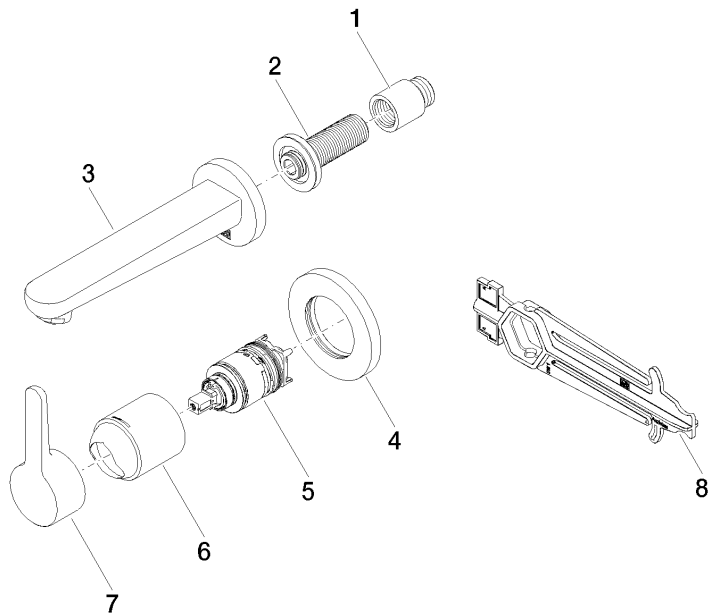
AbP_10

ACS_23 ACC NY

WRAS_240504

DORNBRAUCHT YAMOU Wall-mounted single-lever basin mixer without pop-up waste - Chrome

36 860 831 Product version from 1/1/2023



Spare parts list

No.	Item Number	Name	Quantity used	Delivery time
1	09 24 03 080 90	extension	1	2
2	90 24 03 316 00 90	nipple	1	2
3	90 11 06 220 00-00	spout	1	2
4	90 27 83 026 00-00	rosette	1	2
5	90 15 05 071 00 90	cartridge	1	2
6	90 11 02 393 00-00	cover	1	2
7	90 20 83 071 00-00	handle	1	2
8	90 30 09 064 00 90	key	1	2