

**MEM Wall-mounted single-lever basin mixer with cover plate without pop-up waste - Brushed Durabron (23kt Gold)**

MEM

36 863 782



- 177mm projection
- fixed spout
- rectangular, air-enriched flow
- hole diameter spout 37 mm
- hole diameter single-lever mixer 57 mm
- cover plate 80 x 180 mm
- max. flow 5.7 l/min
- lead-free
- This product can help a building meet the requirements of Green Building Rating Systems, e.g. LEED®, BREEAM®, DGNB
- WRAS 2107018

	Brushed Durabron (23kt Gold)	36 863 782-28
	Chrome	36 863 782-00
	Brushed Platinum	36 863 782-06
	Platinum	36 863 782-08
	Dark Chrome	36 863 782-19
	Brushed Champagne (22kt Gold)	36 863 782-46
	Champagne (22kt Gold)	36 863 782-47
	Brushed Dark Platinum	36 863 782-99

**Required miscellaneous**



**Concealed wall-mounted single-lever mixer mixer on right -** 35 816 970 90  
 •NOTE:Not suitable for concealed installation.Connection by means of angle valves, mounted with screws to back wall.

**Required miscellaneous**



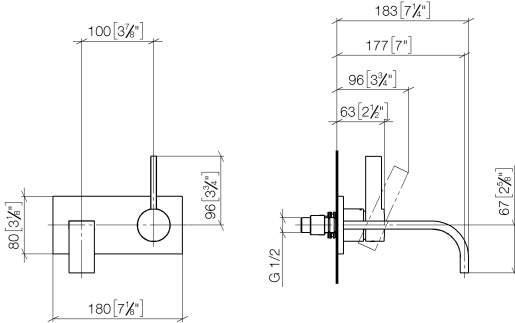
**Concealed wall-mounted single-lever mixer -** 35 860 970 90  
 •max. recess depth 95 mm  
 •min. recess depth 80 mm



# MEM Wall-mounted single-lever basin mixer with cover plate without pop-up waste - Brushed Durabron (23kt Gold)

MEM

36 863 782  
mm [inches]



## Flow rate chart



## Codes & Standards

DIN 4109

EN 817

ISO 3822

Scottish Water  
Byelaws

UK Water Supply  
Regulations

Ü-Zeichen



MEM Wall-mounted single-lever basin mixer with cover plate without pop-up waste - Brushed Durabron (23kt Gold)

---

MEM

36 863 782

Certificates

---

LGA\_29

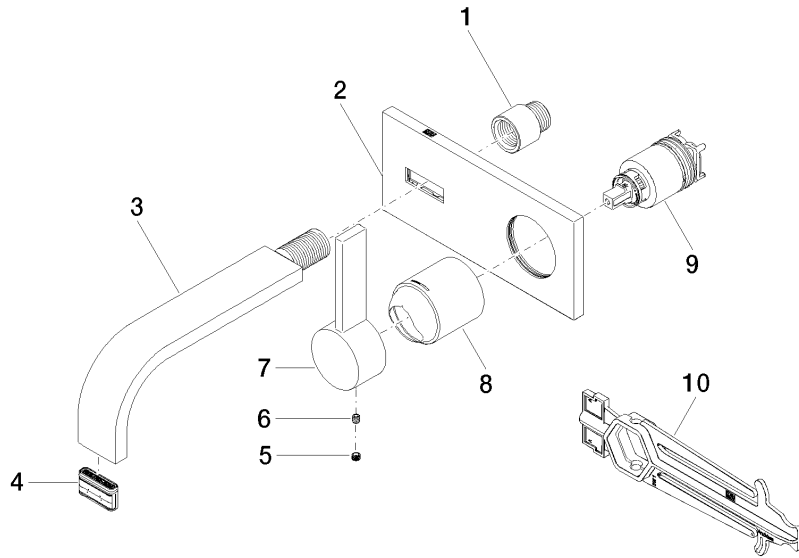
WRAS\_2107

DVGW\_DW-  
6512DN0

MEM Wall-mounted single-lever basin mixer with cover plate without pop-up waste - Brushed Durabronze (23kt Gold)

MEM

36 863 782





MEM Wall-mounted single-lever basin mixer with cover plate without pop-up waste - Brushed Durabron (23kt Gold)

MEM

36 863 782

**Spare parts list**

No.	Item Number	Name	Quantity used	Delivery time
	09 24 03 072 10 90	nipple	10	2