

## AQUAMOON Rain panel with color light - Matte White

---

41 625 979



- exposed trim parts
- Rain panel with 3 different flow modes
- AQUACIRCLE RAIN: Circular rain curtain, max. flow rate 12 l/min (at 3 bar)
- TEMPEST RAIN: Natural rain, max. flow rate 10 l/min (at 3 bar)
- QUEEN'S COLLAR CASCADE: Rounded cascade, max. flow rate 24 l/min (at 3 bar)
- RGBW LED ambient lighting
- Matt white cover, RAL 9003
- with anti-scale system
- Outer diameter 1240 mm, opening diameter 450 mm
- Flow rate at 3 bar flow pressure in conjunction with xTOOL: 46 l/min
- Weight 22.5 kg
- Protection rating IP67
- Control elements not included among the items supplied
- Provided by customer: Zigbee gateway

Rain panel cover for adaptation to ceiling colour available in all RAL colours, price and delivery time on request

includes light bulbs with a Class G energy efficiency

### Required miscellaneous

---



**AQUAMOON Concealed ceiling installation box with color light -** 35 625 970 90

- Ceiling installation enclosure 1356 x 1356 x 290 mm
- concealed rough parts
- Opening diameter 1252 mm
- min. recess depth 290 mm



## AQUAMOON Rain panel with color light - Matte White

---

41 625 979

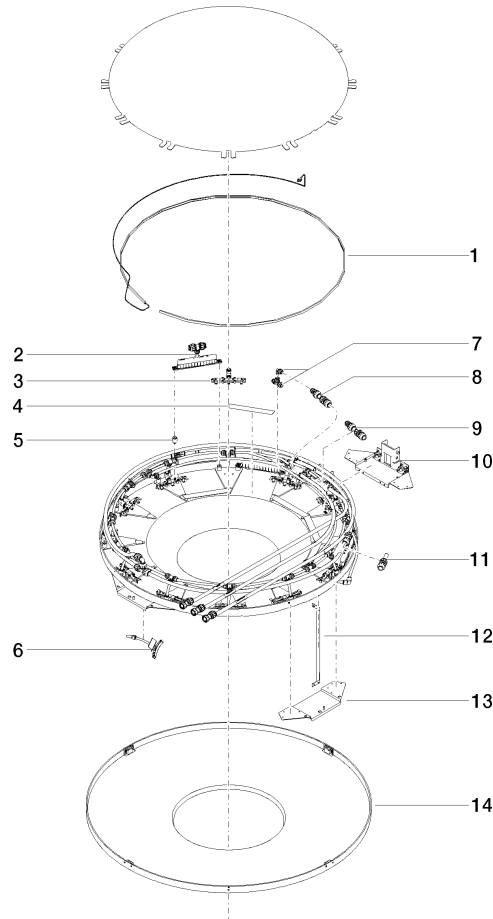
### Certificates

---

LGA\_29446.

**AQUAMOON Rain panel with color light - Matte White**

41 625 979



**Spare parts list**

No.	Item Number	Name	Quantity used	Delivery time
1	90 10 01 183 01 90	lamp	1	2
2	90 17 09 058 00 90	jet module	5	2
3	90 17 09 056 00 90	jet module	12	2
4	90 17 20 221 00 90	holder	5	2
5	90 18 40 222 00 90	adaptor	24	2
6	90 17 09 057 00 90	jet module	12	2
7	90 24 04 321 00 90	threaded connector	1	60
8	90 24 04 346 00 90	connection AQUACIRCLE	1	60
9	90 24 04 314 00 90	connection TEMPEST	1	60
10	90 17 20 211 00 90	joint	1	60
11	90 24 04 314 01 90	connection QUEENSCOLLAR	1	60
12	90 17 20 217 00 90	holder	4	60
13	90 17 20 216 00 90	holder	3	60
14	90 11 02 325 00 90	cover	1	2