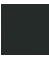




EDITION PRO Dispenser wall model - Matte Black

83 435 626



- bottle made of crystal glass, matt
- width 60mm
- height 203 mm
- 250 ml bottle
- 100mm projection

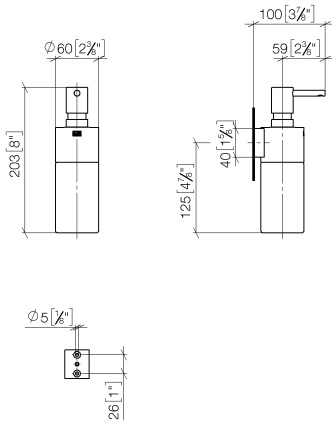
	Matte Black	83 435 626-33
	Chrome	83 435 626-00
	Brushed Chrome	83 435 626-93



EDITION PRO Dispenser wall model - Matte Black

83 435 626

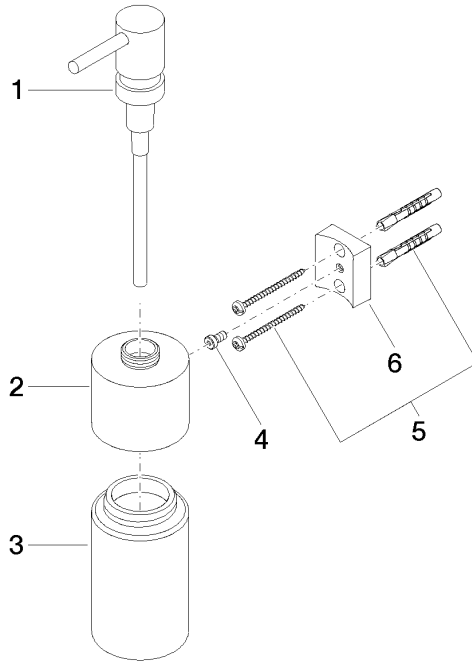
mm [inches]



EDITION PRO Dispenser wall model - Matte Black

83 435 626

Parts for other
finishes can be found
here: [Chrome](#)





EDITION PRO Dispenser wall model - Matte Black

83 435 626

Spare parts list

No.	Item Number	Name	Quantity used	Delivery time
	90 10 10 535 00-33	dispenser	6	30