




## EDITION PRO Tissue holder without cover - Brushed Chrome

---

83 500 626



- width 150mm
- height 95 mm
- rosette Ø 41 mm
- 38mm projection

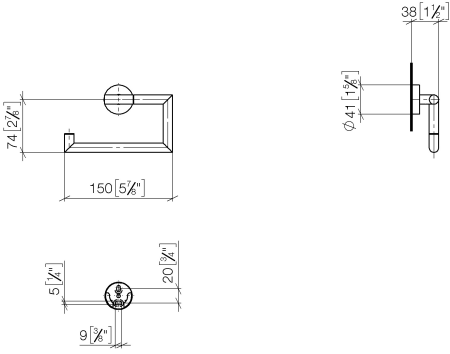
	Brushed Chrome	83 500 626-93
	Chrome	83 500 626-00
	Matte Black	83 500 626-33



# EDITION PRO Tissue holder without cover - Brushed Chrome

83 500 626

mm [inches]

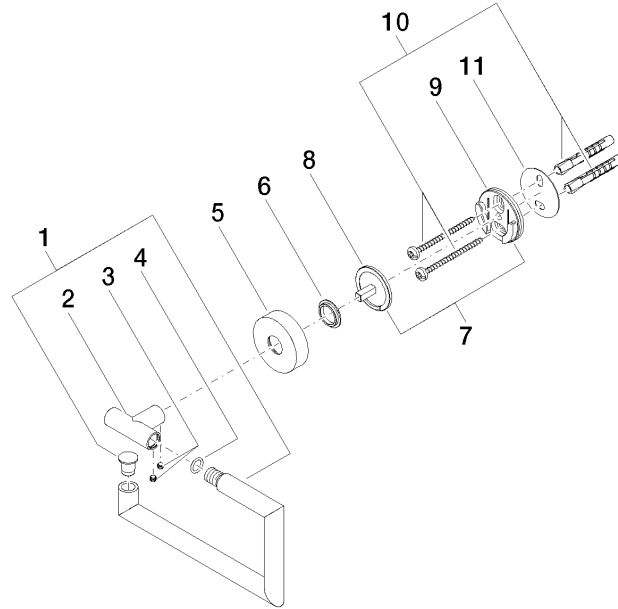


EDITION PRO Tissue holder without cover - Brushed Chrome

---

83 500 626

Parts for other  
finishes can be found  
here: [Chrome](#)





## EDITION PRO Tissue holder without cover - Brushed Chrome

---

83 500 626

### Spare parts list

No.	Item Number	Name	Quantity used	Delivery time
	90 28 22 626 00-93	holder	11	20