

## TARA Tissue holder with cover - Dark Chrome

83 510 892



- width 152mm
- height 100 mm
- rosette Ø 55 mm
- 77mm projection

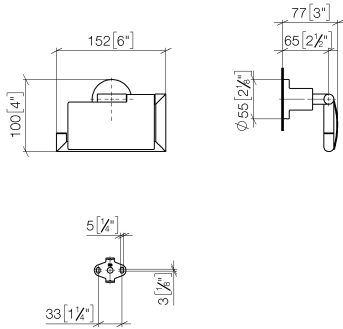
	Dark Chrome	83 510 892-19
	Chrome	83 510 892-00
	Brushed Platinum	83 510 892-06
	Platinum	83 510 892-08
	Brushed Durabronze (23kt Gold)	83 510 892-28
	Matte Black	83 510 892-33
	Brushed Bronze	83 510 892-42
	Brushed Champagne (22kt Gold)	83 510 892-46
	Champagne (22kt Gold)	83 510 892-47
	Brushed Chrome	83 510 892-93
	Brushed Dark Platinum	83 510 892-99

## TARA Tissue holder with cover - Dark Chrome

---

83 510 892

mm [inches]



## TARA Tissue holder with cover - Dark Chrome

---

83 510 892

Parts for other  
finishes can be found  
here: [Chrome](#)

