

TARA Tissue holder with cover - Brushed Champagne (22kt Gold)

83 510 892 Product version from 4/1/2024



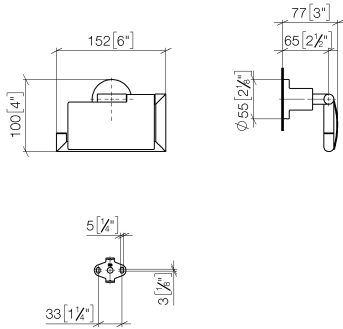
- width 152mm
- height 100 mm
- rosette Ø 55 mm
- 77mm projection

	Brushed Champagne (22kt Gold)	83 510 892-46
	Chrome	83 510 892-00
	Brushed Platinum	83 510 892-06
	Platinum	83 510 892-08
	Dark Chrome	83 510 892-19
	Brushed Durabronze (23kt Gold)	83 510 892-28
	Matte Black	83 510 892-33
	Brushed Bronze	83 510 892-42
	Champagne (22kt Gold)	83 510 892-47
	Brushed Chrome	83 510 892-93
	Brushed Dark Platinum	83 510 892-99

TARA Tissue holder with cover - Brushed Champagne (22kt Gold)

83 510 892 Product version from 4/1/2024

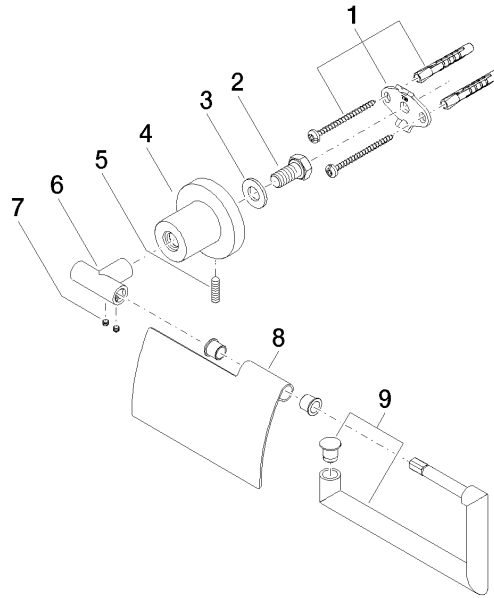
mm [inches]



TARA Tissue holder with cover - Brushed Champagne (22kt Gold)

83 510 892 Product version from 4/1/2024

Parts for other finishes can be found here: [Chrome](#)



Spare parts list

No.	Item Number	Name	Quantity used	Delivery time
1	05 17 20 739 00 90	fixing set	1	2
2	09 30 30 071 90	screw	1	2
3	09 30 11 046 90	disc	1	2
4	08 17 89 505-46	holder	1	30
5	04 31 11 113 00 90	pin	1	2
6	05 17 89 553 00-46	holder	1	30
7	90 31 11 038 00 90	pin	2	2
8	08 11 02 514-46	lid	1	30
9	90 28 22 641 00-46	holder	1	30