

ST 110 202 7809

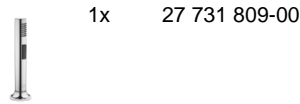
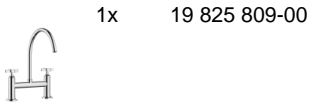


- 241mm projection
- pivotable spout 360°
- air-enriched flow and spray flow
- fabric braided hose 1500 mm
- automatic spout/shower diverter
- sprayface with anti-scaling system
- max. flow 7 l/min at 3 bar flow pressure
- lead-free
- This product can help a building meet the requirements of Green Building Rating Systems, e.g. LEED®, BREEAM®, DGNB

	Chrome	ST 110 202 7809-00
	Brushed Platinum	ST 110 202 7809-06
	Platinum	ST 110 202 7809-08
	Durabronze (23kt Gold)	ST 110 202 7809-09
	Dark Chrome	ST 110 202 7809-19
	Brushed Durabronze (23kt Gold)	ST 110 202 7809-28
	Matte Black	ST 110 202 7809-33
	Brushed Champagne (22kt Gold)	ST 110 202 7809-46
	Champagne (22kt Gold)	ST 110 202 7809-47
	Brushed Chrome	ST 110 202 7809-93
	Brushed Dark Platinum	ST 110 202 7809-99

Individual components of this set

You need the following components for this set





## VAIA Two-hole bridge mixer with rinsing spray set - Chrome

---

VAIA

ST 110 202 7809

ST 110 202 7809



- 241mm projection
- pivotable spout 360°
- air-enriched flow
- max. flow 7 l/min at 3 bar flow pressure
- lead-free
- This product can help a building meet the requirements of Green Building Rating Systems, e.g. LEED®, BREEAM®, DGNB

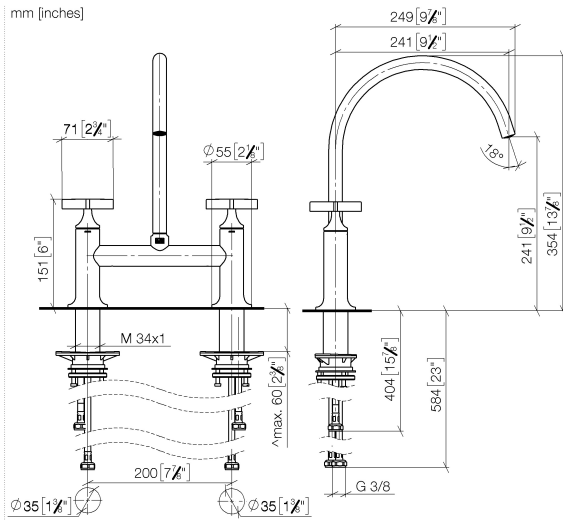
	Chrome	19 825 809-00
	Brushed Platinum	19 825 809-06
	Platinum	19 825 809-08
	Durabress (23kt Gold)	19 825 809-09
	Dark Chrome	19 825 809-19
	Brushed Durabress (23kt Gold)	19 825 809-28
	Matte Black	19 825 809-33
	Brushed Champagne (22kt Gold)	19 825 809-46
	Champagne (22kt Gold)	19 825 809-47
	Brushed Chrome	19 825 809-93
	Brushed Dark Platinum	19 825 809-99

**Recommended miscellaneous**

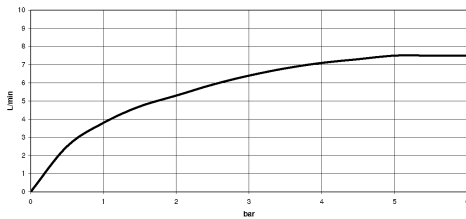
**VAIA Dispenser with rosette - Chrome** 82 434 809-00



ST 110 202 7809



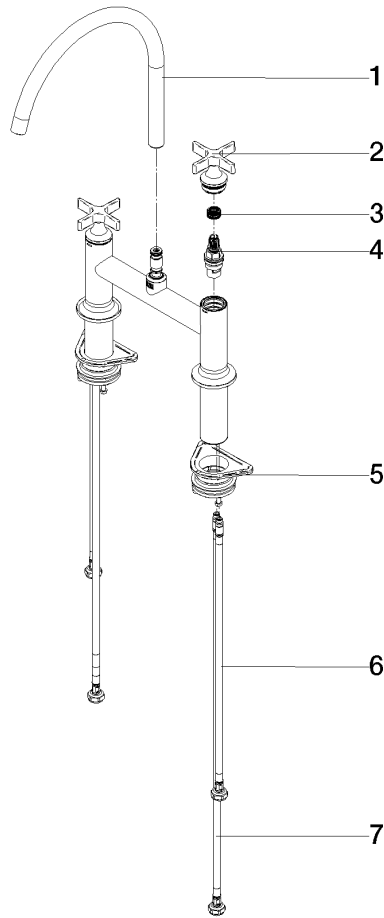
**Flow rate chart**



**Certificates**

LGA\_38632.

ST 110 202 7809



**Spare parts list**

No.	Item Number	Name	Quantity used	Delivery time
1	90 28 22 396 00-00	spout	1	10
2	90 20 80 036 00-00	handle	2	-
Spare part can no longer be ordered, please order the replacement item				
3	90 12 12 232 00 90	fixing cap	2	2
4	90 90 03 131 00 90	top	2	2
5	04 30 11 040 00 90	fixing set	2	2
6	04 30 04 100 00 90	hose	2	2
7	04 30 04 101 00 90	hose	2	2

ST 110 202 7809



- with round rosette
- spray flow
- automatic spout/shower diverter
- height of mixer 202 mm
- hole diameter rinsing spray 32mm
- fabric braided hose 1500 mm
- sprayface with anti-scaling system
- lead-free

Can only be combined with 33810809, 33826809, 19815809, 19825809.

Intrinsic protection against back flow.

	Chrome	27 731 809-00
	Brushed Platinum	27 731 809-06
	Platinum	27 731 809-08
	Durabrand (23kt Gold)	27 731 809-09
	Dark Chrome	27 731 809-19
	Brushed Durabrand (23kt Gold)	27 731 809-28
	Matte Black	27 731 809-33
	Brushed Champagne (22kt Gold)	27 731 809-46
	Champagne (22kt Gold)	27 731 809-47
	Brushed Chrome	27 731 809-93
	Brushed Dark Platinum	27 731 809-99



## VAIA Two-hole bridge mixer with rinsing spray set - Chrome

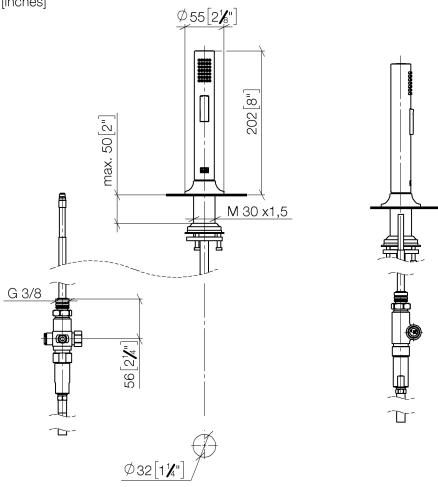
---

VAIA

ST 110 202 7809

ST 110 202 7809

mm [inches]



### Certificates

Belgaqua\_24-005-  
27\_3.





## VAIA Two-hole bridge mixer with rinsing spray set - Chrome

---

VAIA

ST 110 202 7809



## VAIA Two-hole bridge mixer with rinsing spray set - Chrome

---

VAIA

ST 110 202 7809



## VAIA Two-hole bridge mixer with rinsing spray set - Chrome

---

VAIA

ST 110 202 7809