

VAIA Two-hole bridge mixer for rinsing/Profi spray - Brushed Champagne (22kt Gold)

VAIA

19 825 809



- 241mm projection
- pivotable spout 360°
- air-enriched flow
- max. flow 7 l/min at 3 bar flow pressure
- lead-free
- This product can help a building meet the requirements of Green Building Rating Systems, e.g. LEED®, BREEAM®, DGNB

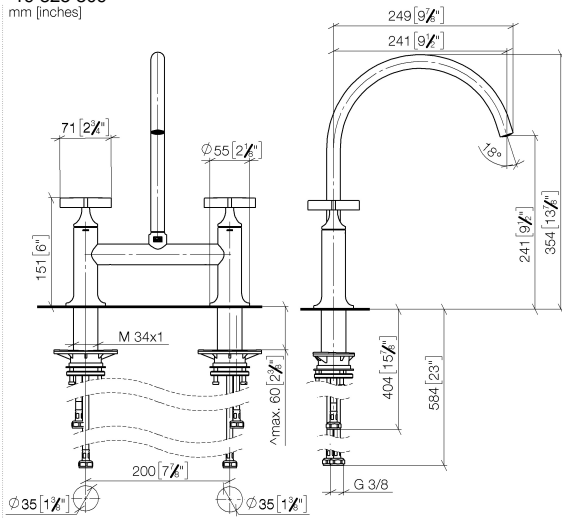
| | | |
|---|-------------------------------|---------------|
|  | Brushed Champagne (22kt Gold) | 19 825 809-46 |
|  | Chrome | 19 825 809-00 |
|  | Brushed Platinum | 19 825 809-06 |
|  | Platinum | 19 825 809-08 |
|  | Durabress (23kt Gold) | 19 825 809-09 |
|  | Dark Chrome | 19 825 809-19 |
|  | Brushed Durabress (23kt Gold) | 19 825 809-28 |
|  | Matte Black | 19 825 809-33 |
|  | Champagne (22kt Gold) | 19 825 809-47 |
|  | Brushed Chrome | 19 825 809-93 |
|  | Brushed Dark Platinum | 19 825 809-99 |

Recommended miscellaneous

VAIA Dispenser with rosette - Brushed Champagne (22kt Gold) 82 434 809-46



19 825 809
mm [inches]



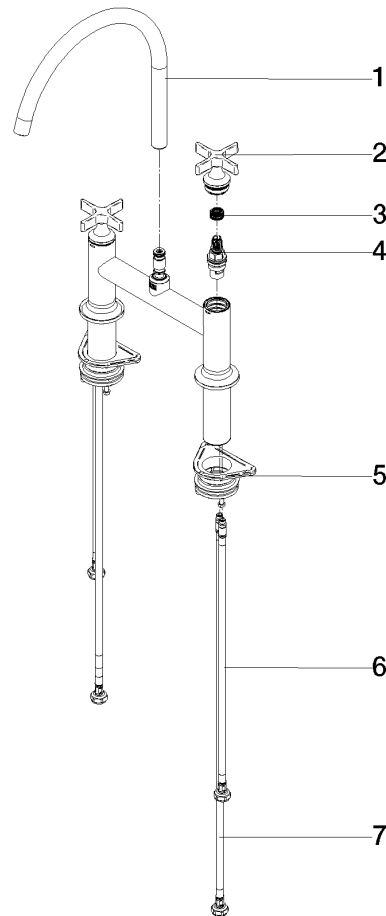
Flow rate chart



Certificates

LGA_38632.

19 825 809
Parts for other
finishes can be found
here: Chrome



Spare parts list

| No. | Item Number | Name | Quantity used | Delivery time |
|--|--------------------|------------|---------------|---------------|
| 1 | 90 28 22 396 00-46 | spout | 1 | - |
| Spare part can no longer be ordered, please order the replacement item | | | | |
| 2 | 90 20 80 036 00-46 | handle | 2 | - |
| Spare part can no longer be ordered, please order the replacement item | | | | |
| 3 | 90 12 12 232 00 90 | fixing cap | 2 | 2 |
| 4 | 90 90 03 131 00 90 | top | 2 | 2 |
| 5 | 04 30 11 040 00 90 | fixing set | 2 | 2 |
| 6 | 04 30 04 100 00 90 | hose | 2 | 2 |
| 7 | 04 30 04 101 00 90 | hose | 2 | 2 |