

**VAIA Three-hole bridge mixer Pull-down with spray function - Brushed Durabron (23kt Gold)**

VAIA

19 870 809



- 240mm projection
- pivotable spout 360°
- Optional swivel limiter available with swivel limiter set 12 823 970 90
- air-enriched flow and spray flow
- 1800 mm metal shower hose
- sprayface with anti-scaling system
- max. flow 8 l/min at 3 bar flow pressure
- lead-free
- This product can help a building meet the requirements of Green Building Rating Systems, e.g. LEED®, BREEAM®, DGNB

Intrinsic protection against back flow.

|  |                               |               |
|--|-------------------------------|---------------|
|  | Brushed Durabron (23kt Gold)  | 19 870 809-28 |
|  | Chrome                        | 19 870 809-00 |
|  | Brushed Platinum              | 19 870 809-06 |
|  | Platinum                      | 19 870 809-08 |
|  | Durabron (23kt Gold)          | 19 870 809-09 |
|  | Dark Chrome                   | 19 870 809-19 |
|  | Matte Black                   | 19 870 809-33 |
|  | Brushed Champagne (22kt Gold) | 19 870 809-46 |
|  | Champagne (22kt Gold)         | 19 870 809-47 |
|  | Brushed Chrome                | 19 870 809-93 |
|  | Brushed Dark Platinum         | 19 870 809-99 |

**Recommended miscellaneous**

**Swivel limitation set -**

12 823 970 90



**Recommended miscellaneous**

**VAIA Dispenser with rosette -  
Brushed Durabron (23kt Gold)**

82 434 809-28



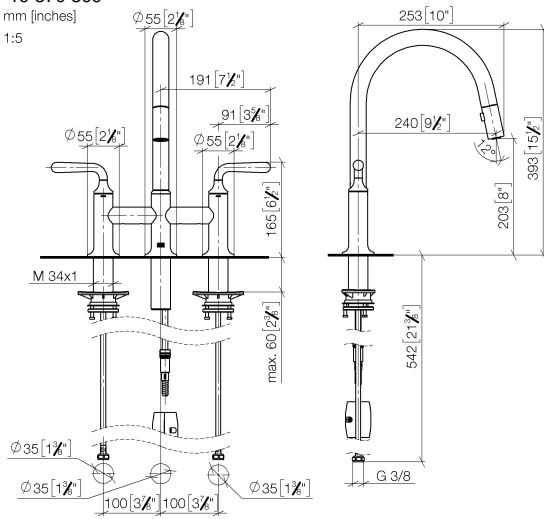
**VAIA Three-hole bridge mixer Pull-down with spray function - Brushed Durabronz (23kt Gold)**

VAIA

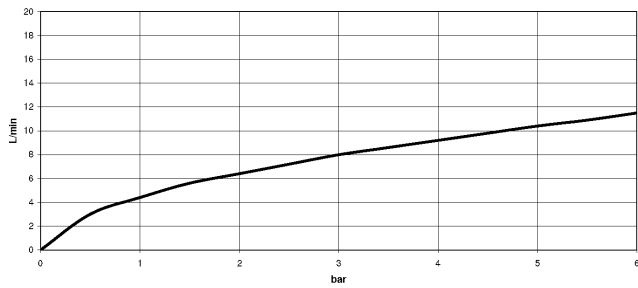
19 870 809

mm [inches]

1:5



**Flow rate chart**

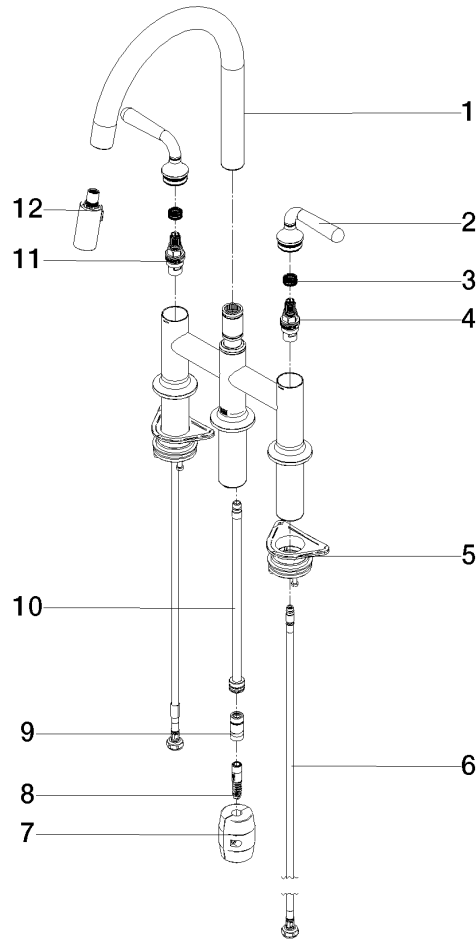


**Certificates**

LGA\_38633.

Belgaqua\_24-005-  
27\_3.

19 870 809



**Spare parts list**

| No.  | Item Number        | Name        | Quantity used | Delivery time |
|--|--------------------|-------------|---------------|---------------|
| 1  | 90 28 22 397 00-28 | spout       | 1             | 20            |
| 2  | 90 20 80 057 00-28 | handle      | 2             | -             |
| Spare part can no longer be ordered, please order the replacement item |                    |             |               |               |
| 3  | 90 12 12 232 00 90 | fixing cap  | 2             | 2             |
| 4  | 90 90 03 130 00 90 | top         | 1             | 2             |
| 5  | 04 30 11 040 00 90 | fixing set  | 2             | 2             |
| 6  | 04 30 04 100 00 90 | hose        | 2             | 2             |
| 7  | 04 21 50 010 00 90 | accessories | 1             | 2             |
| 8  | 04 30 02 120 00-85 | hose        | 1             | 30            |
| 9  | 90 24 03 253 00 90 | adaptor     | 1             | 2             |
| 10   | 04 28 20 067 00 90 | pipe        | 1             | 2             |
| 11   | 90 90 03 131 00 90 | top         | 1             | 2             |
| 12   | 90 18 40 317 00-28 | shower      | 1             | 20            |