

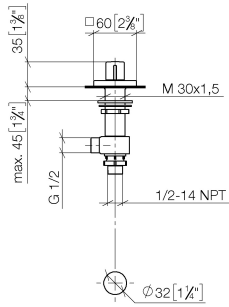
20 000 985 Product version from 4/30/2013

- hole diameter valve 32 mm
- rosette 60 x 60 mm
- with hot marking



20 000 985 Product version from 4/30/2013

mm [inches]



**Flow rate chart**



**Codes & Standards**

ASME A112.18.1

cUPC

EN 200

NSF372

**VA-Zeichen**



## SYMETRICS Deck valve anti-clockwise closing hot - Chrome

SYMETRICS

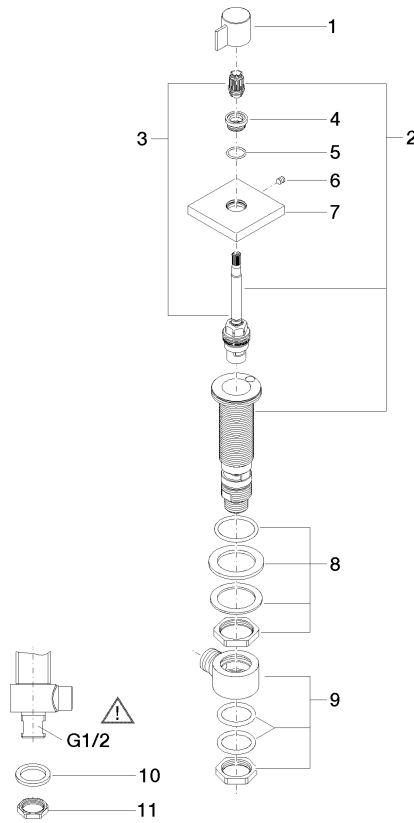
20 000 985 Product version from 4/30/2013

### Certificates and sustainability

ETA\_18

IAPMO\_4976

IAPMO\_6



**Spare parts list**

No.	Item Number	Name	Quantity used	Delivery time
	3 90 90 03 204 00 90	top	1.00	2
	5 09 14 10 017 90	seal	1.00	2
	1 09 20 98 002-00	handle	1.00	10
	9 04 17 11 023 10 90	distributor	1.00	2
	2 90 17 11 045 04 90	side panel	1.00	2
	7 09 27 98 014-00	rosette	1.00	10
	11 09 23 10 012 90	nut	1.00	2
	4 09 12 12 043-00	base	1.00	10
	8 04 23 10 032 78 90	fixing set	1.00	2
	10 09 30 11 059 90	disc	1.00	2
	6 90 31 11 004 00 90	pin	1.00	2