

**VAIA Three-hole basin mixer with pop-up waste - Brushed Durabronze (23kt Gold)**

VAIA

20 705 819



- 165mm projection
- pivotable spout 360°
- circular, air-enriched flow
- height of mixer 144 mm
- height up to aerator 90 mm
- hole diameter valve 32 mm
- hole diameter spout 35 mm
- rosette Ø 60 mm
- max. flow 5.7 l/min
- lead-free
- This product can help a building meet the requirements of Green Building Rating Systems, e.g. LEED®, BREEAM®, DGNB
- WRAS 2312068

Only suitable for basins with an overflow.

	Brushed Durabronze (23kt Gold)	20 705 819-28
	Chrome	20 705 819-00
	Brushed Platinum	20 705 819-06
	Platinum	20 705 819-08
	Dark Chrome	20 705 819-19
	Brushed Bronze	20 705 819-42
	Brushed Champagne (22kt Gold)	20 705 819-46
	Champagne (22kt Gold)	20 705 819-47
	Brushed Dark Platinum	20 705 819-99

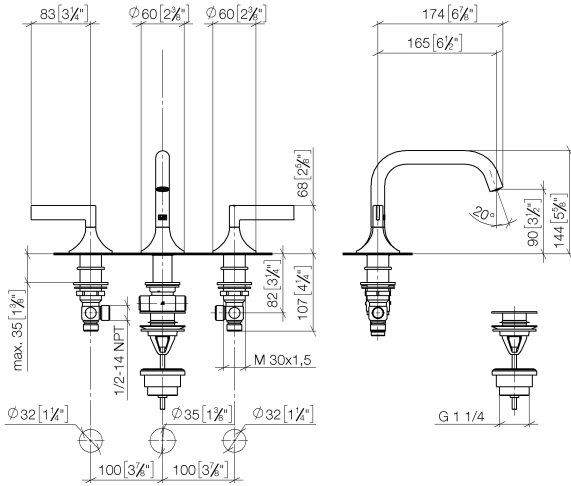
**Recommended miscellaneous**



**High pressure hoses -**  
● 2x 3/8" x 1/2" x 500mm high pressure hose

12 506 970 90

20 705 819  
mm [inches]



**Flow rate chart**



**Codes & Standards**

DIN 4109

Executive Order  
no. 1007

ISO 3822

Scottish Water  
Byelaws

UK Water Supply  
Regulations

Ü-Zeichen



VAIA Three-hole basin mixer with pop-up waste - Brushed Durabross (23kt Gold)

VAIA

---

20 705 819  
Certificates

---

GDV\_0400

WRAS\_2312

LGA\_38





VAIA Three-hole basin mixer with pop-up waste - Brushed Durabronz (23kt Gold)

VAIA

20 705 819

**Spare parts list**

No.	Item Number	Name	Quantity used	Delivery time
	90 20 80 013 00-28	handle ( hot )	25	20