

20 705 882

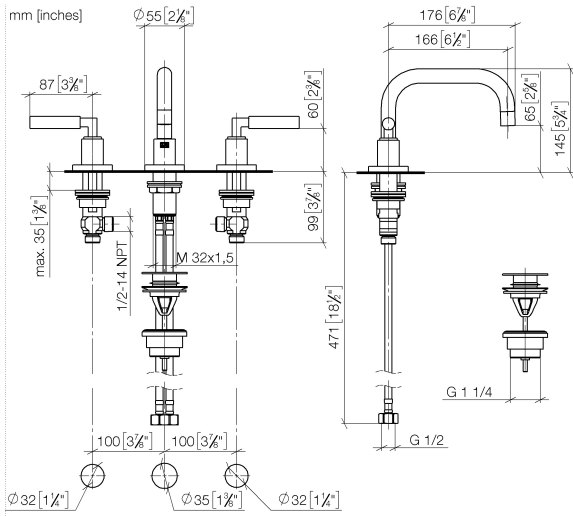


- 166mm projection
- pivotable spout 360°
- circular, air-enriched flow
- height of mixer 145 mm
- height up to aerator 65 mm
- hole diameter valve 32 mm
- hole diameter spout 35 mm
- rosette Ø 55 mm
- 2x screw-in M 10 x 1 pressure hose, leak-tested
- max. flow 5.7 l/min
- lead-free
- This product can help a building meet the requirements of Green Building Rating Systems, e.g. LEED®, BREEAM®, DGNB

Only suitable for basins with an overflow.

| | | |
|---|-------------------------------------|---------------|
|  | Dark Chrome | 20 705 882-19 |
|  | Chrome | 20 705 882-00 |
|  | Brushed Platinum | 20 705 882-06 |
|  | Platinum | 20 705 882-08 |
|  | Brushed Durabronze (23kt Gold) | 20 705 882-28 |
|  | Matte Black | 20 705 882-33 |
|  | Brushed Champagne (22kt Gold) | 20 705 882-46 |
|  | Champagne (22kt Gold) | 20 705 882-47 |
|  | Brushed Chrome | 20 705 882-93 |
|  | Brushed Dark Platinum | 20 705 882-99 |

20 705 882



Flow rate chart



Certificates

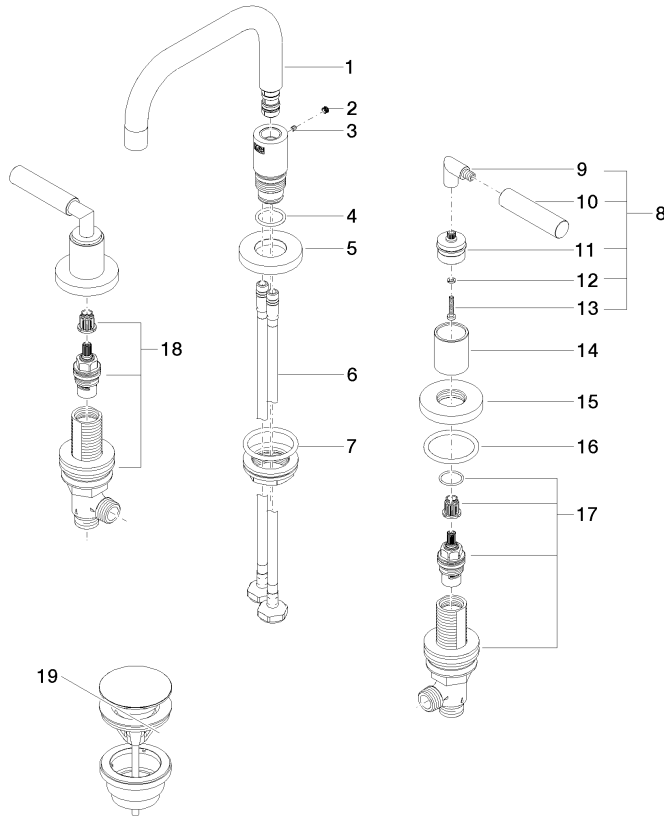
LGA_38417.

GDV_0400289.

WRAS_2303029.

20 705 882

Parts for other finishes can be found here: [Chrome](#)



Spare parts list

| No. | Item Number | Name | Quantity used | Delivery time |
|-----|--------------------|--|---------------|---------------|
| 1 | 90 28 22 370 00-19 | spout | 1 | 20 |
| 2 | 90 31 20 109 00 90 | plug | 1 | 2 |
| 3 | 09 31 11 099 90 | pin | 1 | 2 |
| 4 | 09 14 10 015 90 | seal | 1 | 2 |
| 5 | 09 28 10 140-19 | ring | 1 | 60 |
| 6 | 04 30 04 019 00 90 | hose | 2 | 2 |
| 7 | 04 23 10 009 02 90 | fixing set | 1 | 2 |
| 8 | 04 20 88 052 10-19 | handle | 2 | 60 |
| 9 | 04 18 20 022 00-19 | angle | 2 | 60 |
| 10 | 09 20 88 052-19 | handle | 2 | 20 |
| 11 | 90 12 12 219 00-19 | base | 2 | 20 |
| 12 | 90 30 11 029 00 90 | disc | 2 | 2 |
| 13 | 90 30 30 075 00 90 | screw | 2 | 2 |
| 14 | 09 21 02 140-19 | sleeve | 2 | 20 |
| 15 | 09 27 89 105-19 | rosette | 2 | 20 |
| 16 | 90 14 10 043 00 90 | seal | 2 | 2 |
| 17 | 90 17 11 040 50 90 | side panel | 1 | 2 |
| 18 | 90 17 11 040 51 90 | side panel | 1 | 2 |
| 19 | 10 125 970-19 | Basin Waste with push fastening 1 1/4" - Dark Chrome | 1 | 20 |