

**CYO Three-hole basin mixer with pop-up waste - Brushed Durabronz (23kt Gold)**



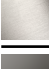




CYO

20 713 811



- 167mm projection
- fixed spout
- rectangular, air-enriched flow
- height of mixer 198 mm
- height up to aerator 133 mm
- hole diameter spout 35 mm
- hole diameter valve 32 mm
- handle Ø 60mm
- max. flow 4.5 l/min
- lead-free
- This product can help a building meet the requirements of Green Building Rating Systems, e.g. LEED®, BREEAM®, DGNB
- WRAS 2111022

NOTE: The handle inserts must be ordered separately from the fittings!

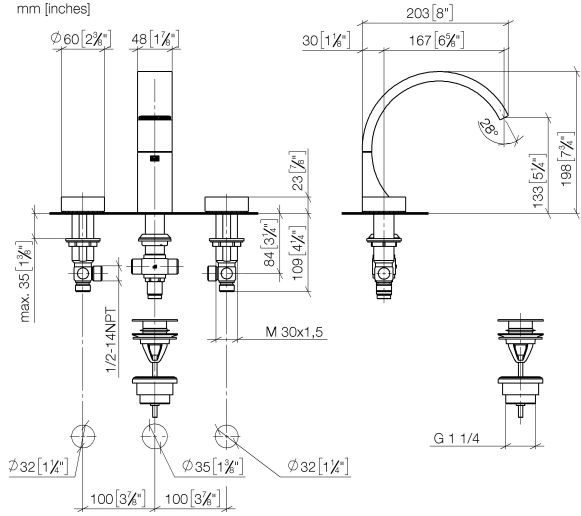
	Brushed Durabronz (23kt Gold)	20 713 811-28
	Chrome	20 713 811-00
	Brushed Platinum	20 713 811-06
	Dark Chrome	20 713 811-19
	Platinum / Brushed Platinum	20 713 811-36
	Durabronz / Brushed Durabronz (23kt Gold)	20 713 811-38
	Brushed Dark Platinum	20 713 811-99

**CYO Three-hole basin mixer with pop-up waste - Brushed Durabronz (23kt Gold)**

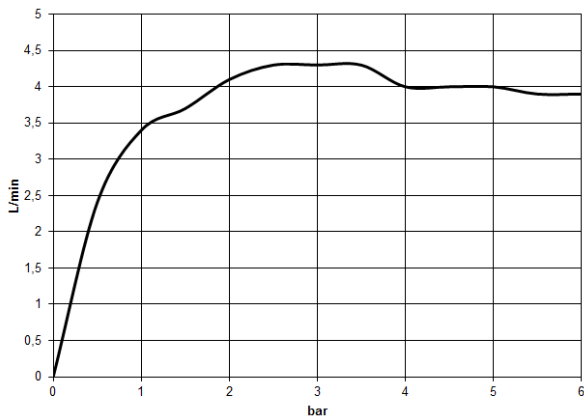
CYO

20 713 811

mm [inches]



**Flow rate chart**



**Codes & Standards**

DIN 4109

ISO 3822

Scottish Water  
Byelaws

UK Water Supply  
Regulations

**Ü-Zeichen**



CYO Three-hole basin mixer with pop-up waste - Brushed Durabronz (23kt Gold)

---

CYO

20 713 811  
Certificates

---

WRAS\_2111      LGA\_38

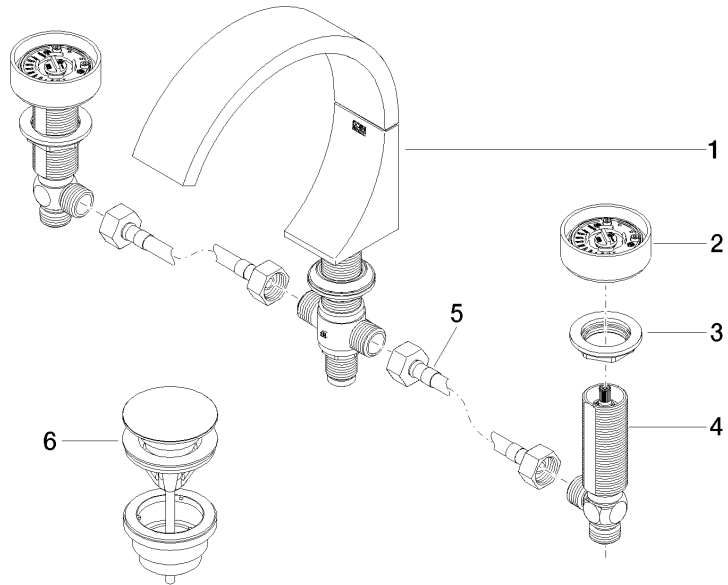


# CYO Three-hole basin mixer with pop-up waste - Brushed Durabrass (23kt Gold)

CYO

20 713 811

Parts for other finishes can be found here: [Chrome](#)





CYO Three-hole basin mixer with pop-up waste - Brushed Durabross (23kt Gold)

CYO

20 713 811

**Spare parts list**

No.	Item Number	Name	Quantity used	Delivery time
	13 717 811-28	CYO Deck-mounted basin spout without pop-up waste - Brushed Durabross (23kt Gold)	10	20