

22 302 892 Product version from 6/30/2009 to 5/27/2021

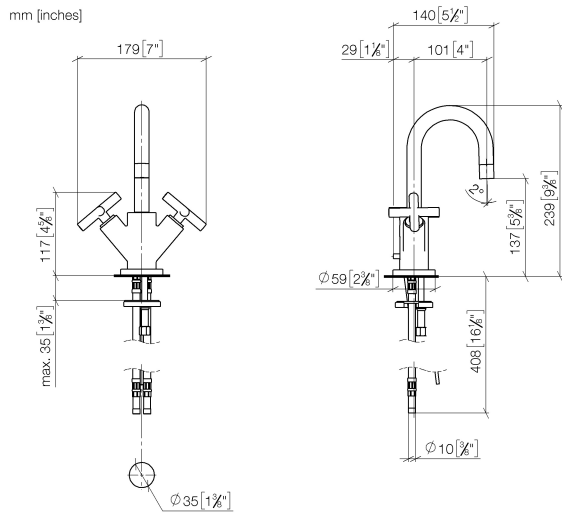


- 100mm projection
- pivotable spout 360°
- circular, air-enriched flow
- height of mixer 235 mm
- height up to aerator 134 mm
- hole diameter 35 mm
- rosette Ø 59 mm
- 2x screw-in M 10 x 1 pressure hose, leak-tested
- max. flow 7 l/min
- lead-free
- This product can help a building meet the requirements of Green Building Rating Systems, e.g. LEED®, BREEAM®, DGNB
- WRAS

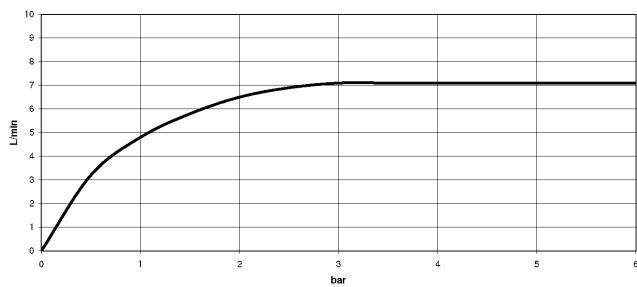
Only suitable for basins with an overflow.

	Matte Black	22 302 892-33
	Chrome	22 302 892-00
	Brushed Platinum	22 302 892-06
	Platinum	22 302 892-08
	Dark Chrome	22 302 892-19
	Brushed Durabronze (23kt Gold)	22 302 892-28
	Brushed Bronze	22 302 892-42
	Brushed Champagne (22kt Gold)	22 302 892-46
	Champagne (22kt Gold)	22 302 892-47
	Brushed Chrome	22 302 892-93
	Brushed Dark Platinum	22 302 892-99

22 302 892 Product version from 6/30/2009 to 5/27/2021



Flow rate chart



Codes & Standards

DIN 4109

EN 200

Executive Order
no. 1007

ISO 3822

Scottish Water
Byelaws

UK Water Supply
Regulations

Ü-Zeichen

VA-Zeichen



TARA Single-hole basin mixer with pop-up waste - Matte Black

TARA

22 302 892 Product version from 6/30/2009 to 5/27/2021

Certificates and sustainability

ETA_18

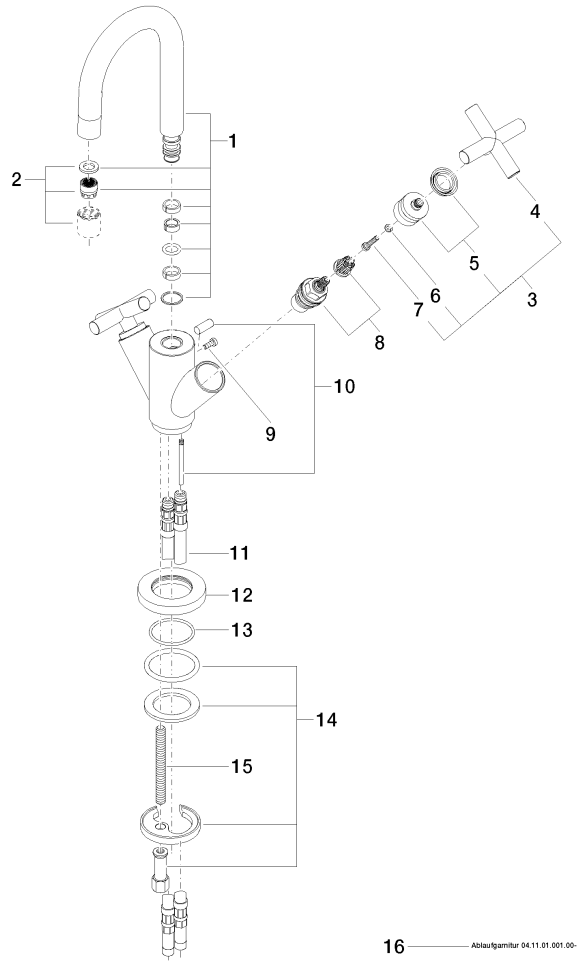
LGA_18

GDV_0400

WRAS_240702

22 302 892 Product version from 6/30/2009 to 5/27/2021

Parts for other finishes can be found here: [Chrome](#)



Spare parts list

No.	Item Number	Name	Quantity used	Delivery time
	13 09 14 10 134 90	seal	1.00	2
	9 09 30 30 054 90	screw	1.00	2
	4 09 20 89 010-33	handle	2.00	60
	1 90 28 22 215 01-33	spout	1.00	-
Spare part can no longer be ordered, please order the replacement item				
	14 04 30 11 038 00 90	fixing set	1.00	2
	2 90 23 01 028 03-33	aerator	1.00	30
	11 04 30 04 016 00 90	hose	2.00	60
	10 04 20 89 035 80-33	pull-rod	1.00	30
	12 09 28 10 132-33	ring	1.00	30
	5 90 12 12 007 00-33	base	2.00	30
	15 09 31 11 011 90	pin	1.00	2
	8 90 90 03 151 00 90	top	2.00	2
	6 90 30 11 029 00 90	disc	2.00	2
	3 90 20 89 010 10-33	handle	2.00	30
	16 90 11 01 001 00-33	pop-up waste	1.00	30
	7 90 30 30 075 00 90	screw	2.00	2