








IMO Single-hole basin mixer with stand pipe without pop-up waste - Brushed Light Gold

22 585 671 Product version from 4/1/2024



- 195mm projection
- fixed spout
- rectangular, air-enriched flow
- total height 1038 - 1103 mm
- height up to aerator 970 – 1040 mm
- rosette Ø 135 mm
- max. flow 4.6 l/min
- lead-free
- This product can help a building meet the requirements of Green Building Rating Systems, e.g. LEED®, BREEAM®, DGNB

| | | |
|---|-----------------------|---------------|
|  | Brushed Light Gold | 22 585 671-27 |
|  | Chrome | 22 585 671-00 |
|  | Brushed Platinum | 22 585 671-06 |
|  | Dark Chrome | 22 585 671-19 |
|  | Matte Black | 22 585 671-33 |
|  | Brushed Chrome | 22 585 671-93 |
|  | Brushed Dark Platinum | 22 585 671-99 |

Required miscellaneous



Concealed floor mounting -

- min. recess depth mm
- max. recess depth mm

35 945 970 90

Required miscellaneous



Concealed floor mounting -

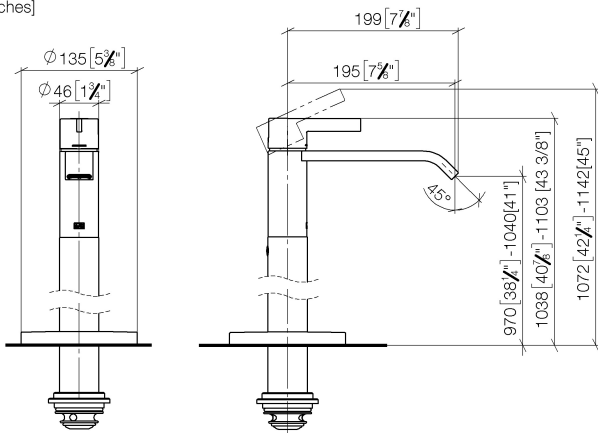
- min. recess depth mm
- max. recess depth mm

35 945 970 90

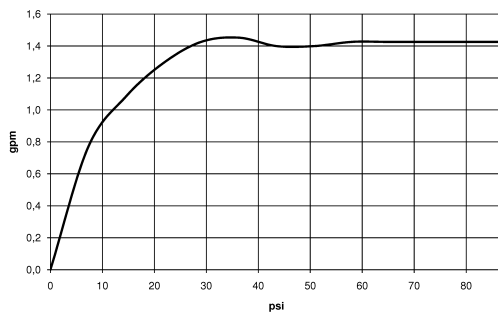


IMO Single-hole basin mixer with stand pipe without pop-up waste - Brushed Light Gold

22 585 671 Product version from 4/1/2024
mm [inches]



Flow rate chart



Codes & Standards

DIN 4109

ISO 3822

Scottish Water
Byelaws

UK Water Supply
Regulations

Ü-Zeichen



IMO Single-hole basin mixer with stand pipe without pop-up waste - Brushed Light Gold

22 585 671 Product version from 4/1/2024

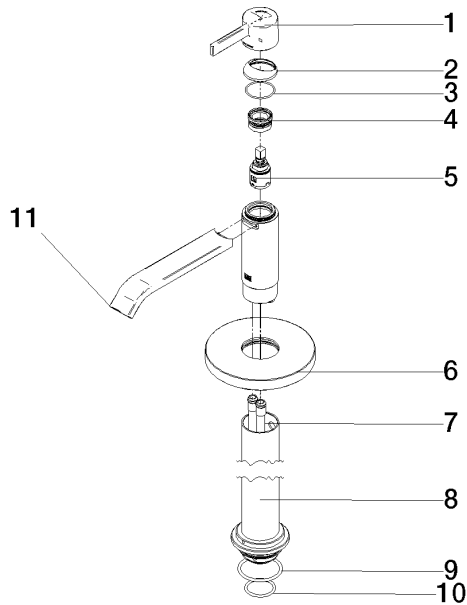
Certificates

LGA_38

WRAS_250102

IMO Single-hole basin mixer with stand pipe without pop-up waste - Brushed Light Gold

22 585 671 Product version from 4/1/2024



Spare parts list

| No. | Item Number | Name | Quantity used | Delivery time |
|--|--------------------|------------|---------------|---------------|
| 1 | 90 20 67 019 00-27 | handle | 1 | 30 |
| 2 | 90 28 30 059 00-27 | cover | 1 | - |
| Spare part can no longer be ordered, please order the replacement item | | | | |
| 3 | 09 14 10 102 90 | seal | 1 | 2 |
| 4 | 90 23 10 146 00 90 | nut | 1 | 2 |
| 5 | 90 15 05 042 00 90 | cartridge | 1 | 2 |
| 6 | 09 27 88 005-27 | rosette | 1 | 30 |
| 7 | 04 28 22 022 10 90 | connection | 2 | 2 |
| 8 | 90 28 22 574 00-27 | pipe | 1 | 30 |
| 9 | 09 14 10 084 90 | seal | 1 | 2 |
| 10 | 09 14 10 018 90 | seal | 1 | 2 |
| 11 | 90 28 22 407 00-27 | spout | 1 | 30 |