

**TARA Single-hole mixer - Dark Chrome**

TARA

22 815 892



- 235mm projection
- pivotable spout 360°
- air-enriched flow
- height of mixer 378 mm
- height up to aerator 220 mm
- hole diameter 35 mm
- max. flow 7 l/min at 3 bar flow pressure
- lead-free
- This product can help a building meet the requirements of Green Building Rating Systems, e.g. LEED®, BREEAM®, DGNB
- WRAS 1810003

	Dark Chrome	22 815 892-19
	Chrome	22 815 892-00
	Brushed Platinum	22 815 892-06
	Platinum	22 815 892-08
	Durabross (23kt Gold)	22 815 892-09
	Brushed Durabross (23kt Gold)	22 815 892-28
	Matte Black	22 815 892-33
	Brushed Champagne (22kt Gold)	22 815 892-46
	Champagne (22kt Gold)	22 815 892-47
	Brushed Chrome	22 815 892-93
	Brushed Dark Platinum	22 815 892-99

**Recommended miscellaneous**

**Dispenser with rosette - Dark Chrome** 82 444 970-19



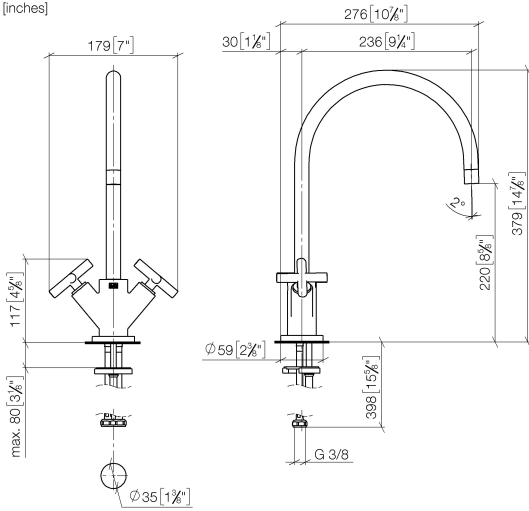
**Recommended miscellaneous**

**Strainer waste with control handle - Dark Chrome** 10 710 970-19



22 815 892

mm [inches]



Flow rate chart



Certificates

GDV\_0400194.

22 815 892

Parts for other  
finishes can be found  
here: [Chrome](#)

