







24 510 360 Product version from 7/31/2009

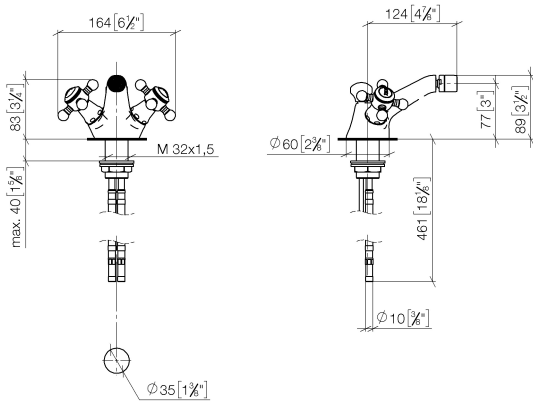


- 125mm projection
- ball-joint pivotable through 15°
- circular, air-enriched flow
- height of mixer 88 mm
- height up to aerator 78 mm
- hole diameter 35 mm
- 2x screw-in M 10 x 1 pressure hose, leak-tested
- max. flow 7 l/min
- WRAS

	Chrome	24 510 360-00
	Brushed Platinum	24 510 360-06
	Platinum	24 510 360-08
	Durabrand (23kt Gold)	24 510 360-09
	Brushed Durabrand (23kt Gold)	24 510 360-28
	Brushed Dark Platinum	24 510 360-99

24 510 360 Product version from 7/31/2009

mm [inches]



Flow rate chart



Codes & Standards

Scottish Water
Byelaws

UK Water Supply
Regulations



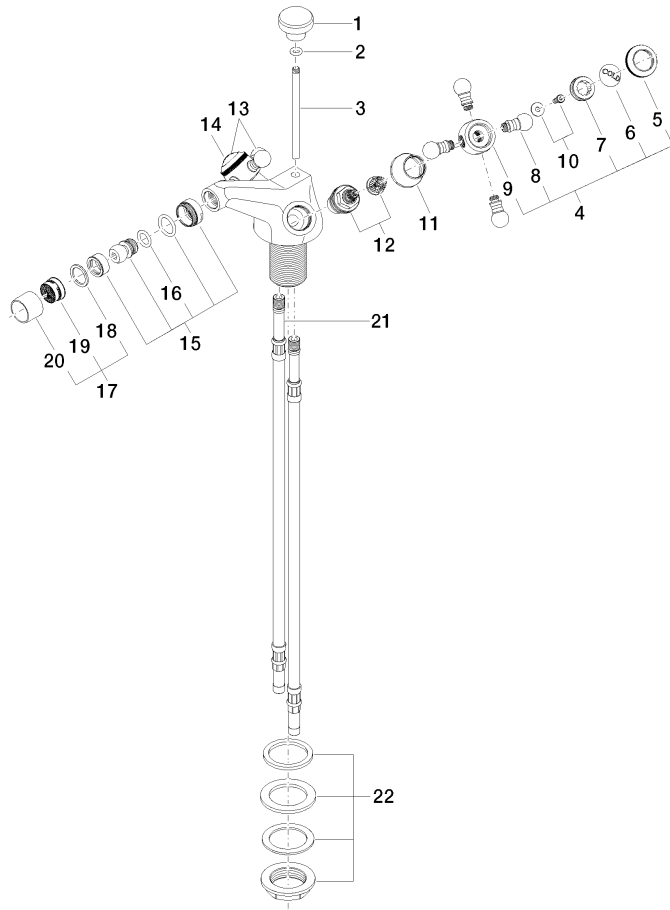
MADISON Single-hole bidet mixer with pop-up waste - Chrome

MADISON

24 510 360 Product version from 7/31/2009

Certificates and sustainability

WRAS_2310



23 ——— Abbausperle 04.11.01.001.00-#