

**VAIA Single-lever bath mixer with stand pipe for free-standing assembly with hand shower set - Brushed Bronze**

25 863 809



- spout: circular, air-enriched flow
- max. flow 24.6 l/min at 3 bar flow pressure
- Hand shower: COMPACT RAIN, max. flow rate 6.8 l/min (at 3 bar)
- bar-type hand shower with anti-scale system
- 281mm projection
- pivotable spout 360°
- automatic bath/shower diverter
- total height 1057 - 1127 mm
- wall bracket
- stand pipe height 565 - 635 mm
- height up to aerator 925 – 995 mm
- slide-on rosettes Ø 135 mm
- metal shower hose 1250mm with integrated anti-twist protection
- WRAS

**Intrinsic protection against back flow.**

Intrinsic protection against back flow.

	Brushed Bronze	25 863 809-42
	Chrome	25 863 809-00
	Brushed Platinum	25 863 809-06
	Platinum	25 863 809-08
	Dark Chrome	25 863 809-19
	Brushed Durabronze (23kt Gold)	25 863 809-28
	Brushed Champagne (22kt Gold)	25 863 809-46
	Champagne (22kt Gold)	25 863 809-47
	Brushed Dark Platinum	25 863 809-99

**Required miscellaneous**



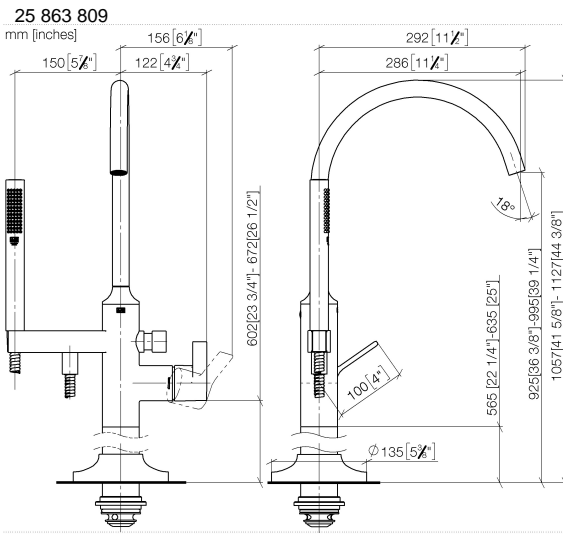
**Concealed floor mounting -**

35 945 970 90

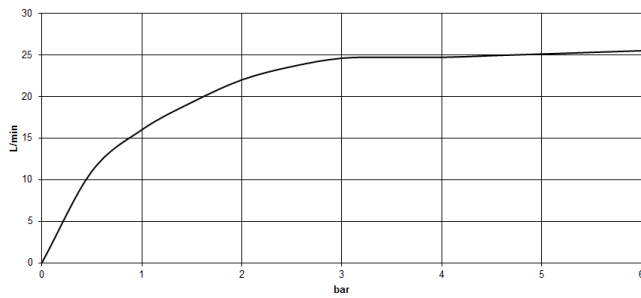
- min. recess depth mm
- max. recess depth mm



## VAIA Single-lever bath mixer with stand pipe for free-standing assembly with hand shower set - Brushed Bronze



### Flow rate chart



### Codes & Standards

ASME A112.18.1

cUPC

EN 1717



VAIA Single-lever bath mixer with stand pipe for free-standing assembly with  
hand shower set - Brushed Bronze

---

25 863 809

Certificates

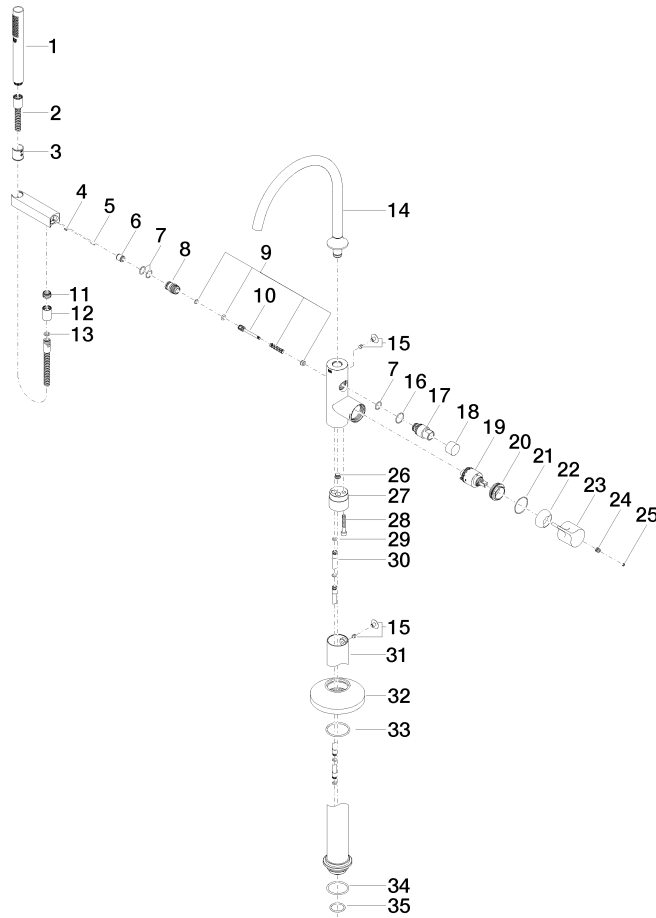
---

IAPMO\_4976

Belgaqua\_24-003-2

VAIA Single-lever bath mixer with stand pipe for free-standing assembly with hand shower set - Brushed Bronze

25 863 809





## VAIA Single-lever bath mixer with stand pipe for free-standing assembly with hand shower set - Brushed Bronze

25 863 809

### Spare parts list

No.	Item Number	Name	Quantity used	Delivery time
1	90 12 11 140 41-42	shower	1	30
2	90 30 02 072 00-42	hose	1	30
3	09 18 40 118 90	sleeve	1	2
4	09 31 11 058 90	pin	1	2
5	09 31 11 040 90	pin	1	2
6	90 23 01 141 00 90	back-flow preventer	1	2
7	90 14 10 010 00 90	seal	3	2
8	09 24 03 153 20-42	nipple	1	-
Spare part can no longer be ordered, please order the replacement item				
9	90 16 02 023 00 90	spring	1	2
10	09 31 09 102 20-42	pull-rod	1	-
Spare part can no longer be ordered, please order the replacement item				
11	09 24 03 069 90	nipple	1	2
12	90 21 02 069 00-42	cover	1	30
13	90 14 20 026 00 90	seal	1	2
14	90 28 22 327 00-42	spout	1	30
15	04 31 20 036 00 90	plug	2	2
16	09 14 10 112 90	seal	1	2
17	09 21 34 081 20-42	nipple	1	60
18	09 20 88 002-42	handle	1	60
19	90 15 05 039 00 90	cartridge	1	2
20	09 24 04 298 90	nut	1	2
21	09 14 10 037 90	seal	1	2
22	09 28 30 036-42	cover	1	60
23	09 20 80 022-42	handle	1	60
24	90 31 11 030 00 90	pin	1	2
25	90 31 20 087 00-42	plug	1	30
26	04 31 20 039 11 90	plug	1	2
27	09 24 03 152 20-42	adaptor	1	-
Spare part can no longer be ordered, please order the replacement item				
28	09 30 30 111 90	screw	1	2
29	09 14 10 139 90	seal	2	2
30	04 28 22 025 00 90	connection	2	2
31	04 28 22 030 00-42	pipe	1	60
32	09 27 80 022-42	rosette	1	60
33	90 14 10 129 00 90	seal	1	2
34	09 14 10 084 90	seal	1	2
35	09 14 10 018 90	seal	1	2