

**VAIA Two-hole bath mixer for free-standing assembly with hand shower set -
Champagne (22kt Gold)**

VAIA

25 943 819



- spout: circular, air-enriched flow
 - max. flow 24.6 l/min at 3 bar flow pressure
 - Hand shower: COMPACT RAIN, max. flow rate 6.8 l/min (at 3 bar)
 - hand shower with anti-scale system
 - 221mm projection
 - pivotable spout 360°
 - rotary diverter for bath/shower
 - total height 920 mm
 - stand pipes height 628 mm
 - height up to aerator 816 mm
 - slide-on rosettes Ø 100 mm
 - gauge 150 mm
 - metal shower hose 1250mm with integrated anti-twist protection
 - pivotable shower holder on the right foot
- Intrinsic protection against back flow.**

Intrinsic protection against back flow.

| | | |
|--|--------------------------------|---------------|
|  | Champagne (22kt Gold) | 25 943 819-47 |
|  | Chrome | 25 943 819-00 |
|  | Brushed Platinum | 25 943 819-06 |
|  | Platinum | 25 943 819-08 |
|  | Dark Chrome | 25 943 819-19 |
|  | Brushed Durabronze (23kt Gold) | 25 943 819-28 |
|  | Brushed Bronze | 25 943 819-42 |
|  | Brushed Champagne (22kt Gold) | 25 943 819-46 |
|  | Brushed Dark Platinum | 25 943 819-99 |

Required miscellaneous

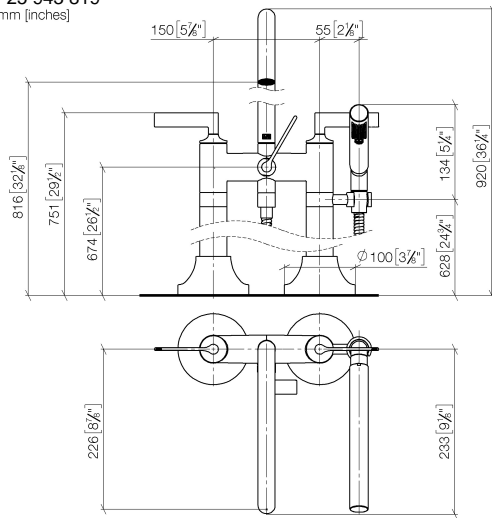


- Concealed floor mounting -** 35 944 970 90
- max. recess depth 160 mm
 - min. recess depth 80 mm

**VAIA Two-hole bath mixer for free-standing assembly with hand shower set -
Champagne (22kt Gold)**

VAIA

25 943 819
mm [inches]



Flow rate chart



Certificates

Belgauqa_22_276_2 LGA_29294.
7_2.

VAIA Two-hole bath mixer for free-standing assembly with hand shower set -
Champagne (22kt Gold)

VAIA

25 943 819

