

**VAIA Two-hole bath mixer for free-standing assembly with hand shower set -  
Brushed Dark Platinum**

VAIA

25 943 819



- spout: circular, air-enriched flow
  - max. flow 24.6 l/min at 3 bar flow pressure
  - Hand shower: COMPACT RAIN, max. flow rate 6.8 l/min (at 3 bar)
  - hand shower with anti-scale system
  - 221mm projection
  - pivotable spout 360°
  - rotary diverter for bath/shower
  - total height 920 mm
  - stand pipes height 628 mm
  - height up to aerator 816 mm
  - slide-on rosettes Ø 100 mm
  - gauge 150 mm
  - metal shower hose 1250mm with integrated anti-twist protection
  - pivotable shower holder on the right foot
  - WRAS 240502008, 1802014
- Intrinsic protection against back flow.**

Intrinsic protection against back flow.

	Brushed Dark Platinum	25 943 819-99
	Chrome	25 943 819-00
	Brushed Platinum	25 943 819-06
	Platinum	25 943 819-08
	Dark Chrome	25 943 819-19
	Brushed Durabronss (23kt Gold)	25 943 819-28
	Brushed Bronze	25 943 819-42
	Brushed Champagne (22kt Gold)	25 943 819-46
	Champagne (22kt Gold)	25 943 819-47

**Required miscellaneous**



**Concealed floor mounting -**

35 944 970 90

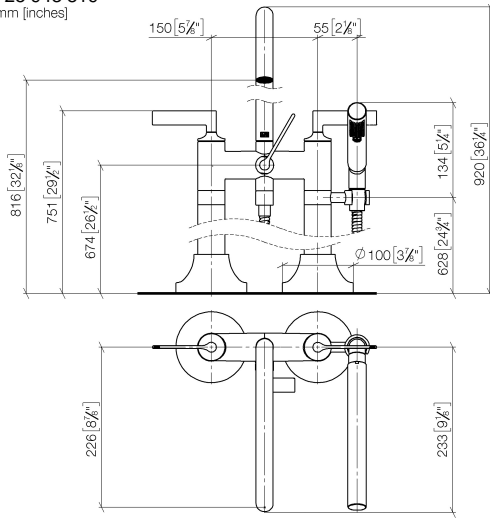
- max. recess depth 160 mm
- min. recess depth 80 mm



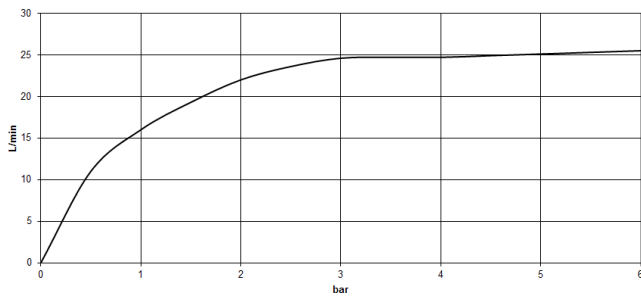
**VAIA Two-hole bath mixer for free-standing assembly with hand shower set -  
Brushed Dark Platinum**

VAIA

25 943 819  
mm [inches]



**Flow rate chart**



**Codes & Standards**

ASME A112.18.1

cUPC

DIN 4109

EN 1717

ISO 3822

Scottish Water  
Byelaws

UK Water Supply  
Regulations

Ü-Zeichen



VAIA Two-hole bath mixer for free-standing assembly with hand shower set -  
Brushed Dark Platinum

---

VAIA

25 943 819

Certificates

---

IAPMO\_4976

Belgauqa\_22\_276\_2 LGA\_29

WRAS\_240502

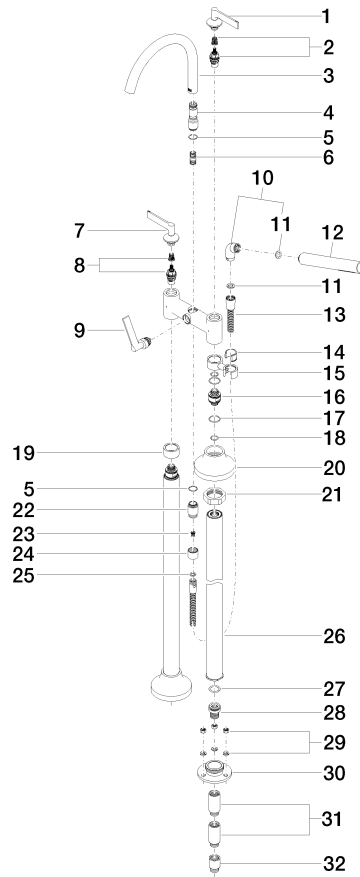
**VAIA Two-hole bath mixer for free-standing assembly with hand shower set -  
Brushed Dark Platinum**

VAIA

25 943 819

Product version from 3/13/2017 to 5/27/2021

**Product version from 5/27/2021**





VAIA Two-hole bath mixer for free-standing assembly with hand shower set -  
Brushed Dark Platinum

---

VAIA

25 943 819

Spare parts list

Product version from 3/13/2017 to 5/27/2021

**Product version from 5/27/2021**

No.	Item Number	Name	Quantity used	Delivery time
	90 20 80 012 01-99	handle ( cold )	54	30