

27 512 710



- spout: circular, air-enriched flow
- max. flow 23.5 l/min at 3 bar flow pressure
- Hand shower: COMPACT RAIN, max. flow rate 6.8 l/min (at 3 bar)
- complete hand shower set with anti-scale system
- 215mm projection
- automatic bath/shower diverter
- height of mixer 110 mm
- height up to aerator 84 mm
- hole diameter valve 32 mm
- hole diameter spout 32 mm
- hole diameter for complete hand shower set 32 mm
- rosette for spout 63 x 63mm
- rosette for complete hand shower set 63 x 63mm
- rosette for deck valve 63 x 63mm
- metal shower hose 1750mm with integrated anti-twist protection
- WRAS 1802015



Brushed Platinum

27 512 710-06



Chrome

27 512 710-00

Intrinsic protection against back flow.

Recommended miscellaneous



Perfecto installation kit -

12 614 970 90

Recommended miscellaneous



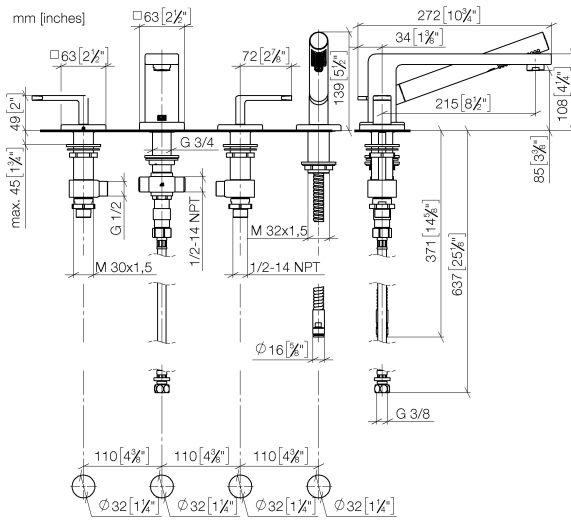
Decorative caps for Perfecto -

Brushed Platinum

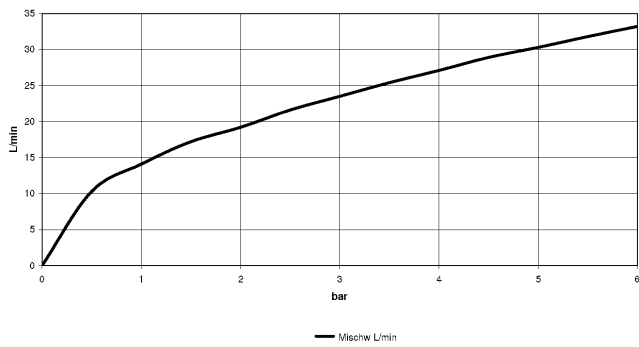
• 1 pair

12 801 970-06

27 512 710



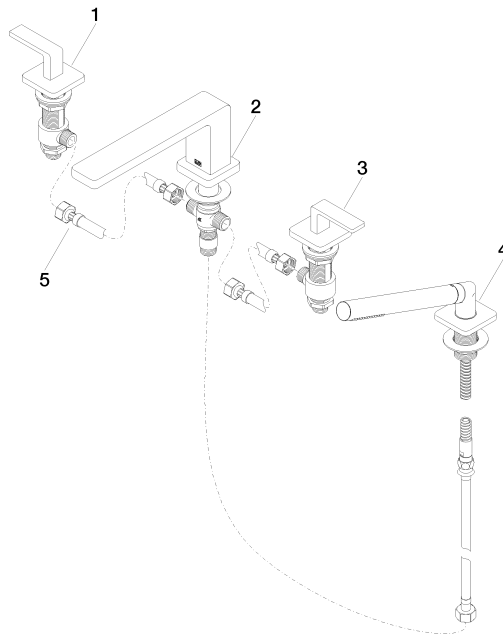
Flow rate chart



Certificates

IAPMO_4976 (5). LGA_19547.

27 512 710



Spare parts list

No.	Item Number	Name	Quantity used	Delivery time
1	20 000 710-06	side panel	1	60
2	13 512 710-06	spout	1	60
3	20 000 711-06	side panel	1	60
4	27 702 710-06	LULU Hand shower set for bath rim or tile edge installation - Brushed Platinum	1	-
Spare part can no longer be ordered, please order the replacement item				
5	12 502 970 90	High pressure hose 1/2" x 1/2" x 400 mm -	1	2