

## TARA Bath shower set for bath rim or tile edge installation - Brushed Bronze

27 512 882 Product version from 4/1/2024



- spout: circular, air-enriched flow
- max. flow 23.5 l/min at 3 bar flow pressure
- Hand shower: COMPACT RAIN, max. flow rate 6.8 l/min (at 3 bar)
- complete hand shower set with anti-scale system
- 220mm projection
- with anti-scale system
- automatic bath/shower diverter
- height of mixer 290 mm
- height up to aerator 135 mm
- hole diameter valve 32 mm
- hole diameter spout 32 mm
- hole diameter for complete hand shower set 32 mm
- rosette for spout Ø 55mm
- rosette for complete hand shower set Ø 50mm
- rosette for deck valve Ø 55mm
- metal shower hose 1750mm with integrated anti-twist protection

Available with 260 mm or 300 mm projection on request (x-TRA SERVICE).

Intrinsic protection against back flow.

	Brushed Bronze	27 512 882-42
	Chrome	27 512 882-00
	Brushed Platinum	27 512 882-06
	Platinum	27 512 882-08
	Dark Chrome	27 512 882-19
	Brushed Durabronze (23kt Gold)	27 512 882-28
	Matte Black	27 512 882-33
	Brushed Champagne (22kt Gold)	27 512 882-46
	Champagne (22kt Gold)	27 512 882-47
	Brushed Chrome	27 512 882-93
	Brushed Dark Platinum	27 512 882-99

### Recommended miscellaneous



**Perfecto installation kit -** 12 614 970 90

### Recommended miscellaneous



**Perfecto installation kit -** 12 614 970 90

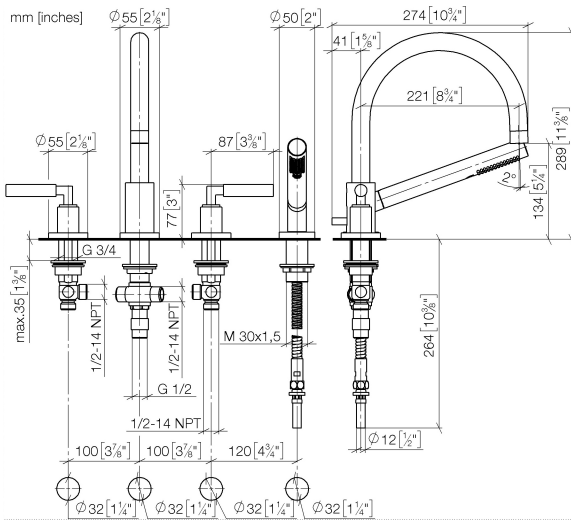
### Recommended miscellaneous



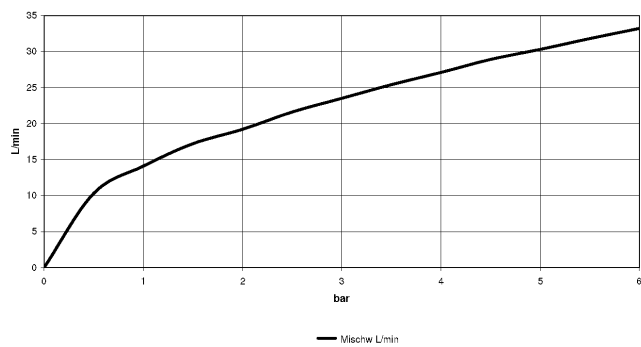
**Decorative caps for Perfecto -  
Brushed Bronze** 12 801 970-42  
•1 pair

**TARA Bath shower set for bath rim or tile edge installation - Brushed Bronze**

27 512 882 Product version from 4/1/2024



**Flow rate chart**



**Codes & Standards**

ASME A112.18.1      cUPC      DIN 4109      ISO 3822

**Ü-Zeichen**



## TARA Bath shower set for bath rim or tile edge installation - Brushed Bronze

---

27 512 882 Product version from 4/1/2024

### Certificates

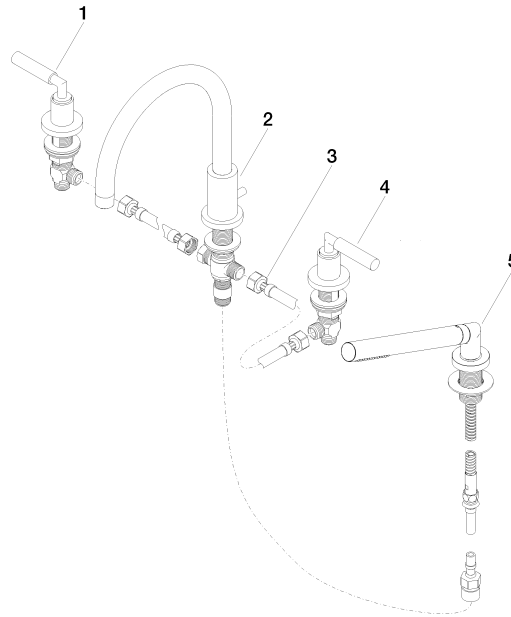
---

IAPMO\_4976

LGA\_18

**TARA Bath shower set for bath rim or tile edge installation - Brushed Bronze**

27 512 882 Product version from 4/1/2024



**Spare parts list**

No.	Item Number	Name	Quantity used	Delivery time
1	20 000 882-42	side panel	1	-
Spare part can no longer be ordered, please order the replacement item				
2	13 512 892-42	spout	1	60
3	12 502 970 90	High pressure hose 1/2" x 1/2" x 400 mm -	2	2
4	20 000 883-42	side panel	1	-
Spare part can no longer be ordered, please order the replacement item				
5	27 702 979-42	Hand shower set for bath rim or tile edge installation - Brushed Bronze	1	30