

27 718 809



- with round rosette
- spray flow
- automatic spout/shower diverter
- height of mixer 171 mm
- hole diameter rinsing spray 32mm
- fabric braided hose 1500 mm
- sprayface with anti-scaling system
- lead-free
- This product can help a building meet the requirements of Green Building Rating Systems, e.g. LEED®, BREEAM®, DGNB

Can only be combined with 33810809, 33826809, 19815809, 19825809.

Intrinsic protection against back flow.

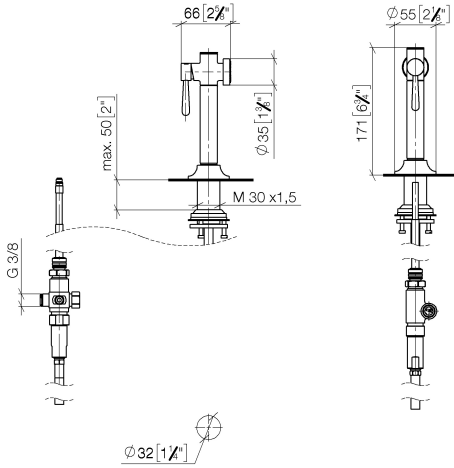
Residual water may emerge from the spray after closing.

Operating unit can be positioned freely.

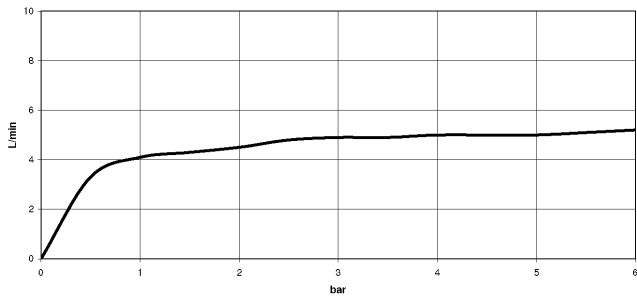
| | | |
|---|-------------------------------|---------------|
|  | Chrome | 27 718 809-00 |
|  | Brushed Platinum | 27 718 809-06 |
|  | Platinum | 27 718 809-08 |
|  | Durabrand (23kt Gold) | 27 718 809-09 |
|  | Dark Chrome | 27 718 809-19 |
|  | Brushed Durabrand (23kt Gold) | 27 718 809-28 |
|  | Matte Black | 27 718 809-33 |
|  | Brushed Champagne (22kt Gold) | 27 718 809-46 |
|  | Champagne (22kt Gold) | 27 718 809-47 |
|  | Brushed Chrome | 27 718 809-93 |
|  | Brushed Dark Platinum | 27 718 809-99 |

27 718 809

mm [inches]



Flow rate chart

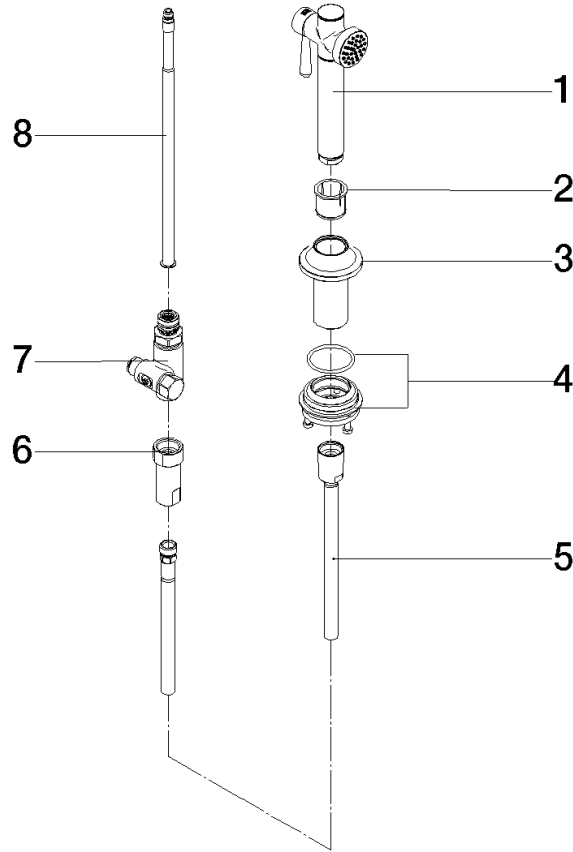


Certificates

LGA_38634.

27 718 809

Parts for other finishes can be found here: [Brushed](#) [Platinum](#)



Spare parts list

| No. | Item Number | Name | Quantity used | Delivery time |
|--|--------------------|------------|---------------|---------------|
| 1 | 90 12 11 096 12-00 | shower | 1 | - |
| Spare part can no longer be ordered, please order the replacement item | | | | |
| 2 | 90 18 40 085 00 90 | sleeve | 1 | 2 |
| 3 | 90 30 01 142 00-00 | shaft | 1 | - |
| Spare part can no longer be ordered, please order the replacement item | | | | |
| 4 | 04 23 10 047 00 92 | fixing set | 1 | 60 |
| 5 | 90 30 02 062 00-00 | hose | 1 | 2 |
| 6 | 90 24 03 241 00 90 | nipple | 1 | 2 |
| 7 | 90 17 09 046 12 90 | diverter | 1 | 2 |
| 8 | 90 28 20 068 00 90 | connection | 1 | 2 |