

VAIA Rinsing spray set - Brushed Bronze

27 731 809 Product version from 3/1/2023



- with round rosette
- spray flow
- automatic spout/shower diverter
- height of mixer 202 mm
- hole diameter rinsing spray 32mm
- fabric braided hose 1500 mm
- sprayface with anti-scaling system
- lead-free

Can only be combined with 33810809, 33826809, 19815809, 19825809.

Intrinsic protection against back flow.

Residual water may emerge from the spray after closing.

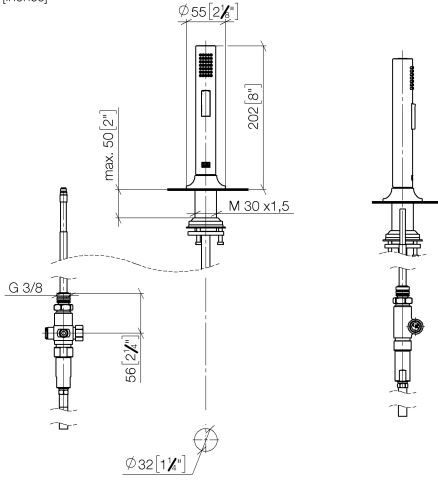
Operating unit can be positioned freely.

	Brushed Bronze	27 731 809-42
	Chrome	27 731 809-00
	Brushed Platinum	27 731 809-06
	Platinum	27 731 809-08
	Durabronze (23kt Gold)	27 731 809-09
	Dark Chrome	27 731 809-19
	Brushed Durabronze (23kt Gold)	27 731 809-28
	Matte Black	27 731 809-33
	Brushed Champagne (22kt Gold)	27 731 809-46
	Champagne (22kt Gold)	27 731 809-47
	Brushed Chrome	27 731 809-93
	Brushed Dark Platinum	27 731 809-99

VAIA Rinsing spray set - Brushed Bronze

27 731 809 Product version from 3/1/2023

mm [inches]



Codes & Standards

DIN 4109

EN 1717

ISO 3822

NSF372

NSF61

Ü-Zeichen

Certificates

LGA_29

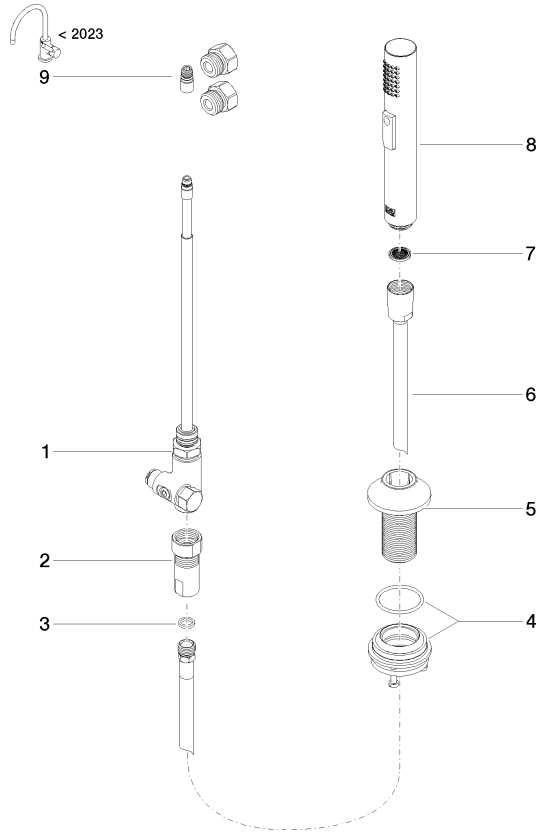
Belgaqua_24-005-2 IAPMO_N-4976

IAPMO_6397

VAIA Rinsing spray set - Brushed Bronze

27 731 809 Product version from 3/1/2023

Parts for other finishes can be found here: [Chrome](#)



Spare parts list

No.	Item Number	Name	Quantity used	Delivery time
1	90 17 09 046 12 90	diverter	1	2
2	90 24 03 241 00 90	nipple	1	2
3	90 14 20 019 00 90	seal	1	2
4	04 23 10 047 00 92	fixing set	1	60
5	90 30 01 142 00-42	shaft	1	30
6	90 30 02 062 00-42	hose	1	30
7	09 23 01 039 90	sieve	1	2
8	04 12 11 158 00-42	shower	1	60
9	90 17 09 046 14 90	conversion kit	1	2