

28 050 892 Product version from 4/1/2024

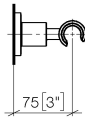
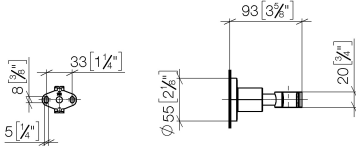
• rosette Ø 55 mm



| | | |
|---|-------------------------------------|---------------|
|  | Matte Black | 28 050 892-33 |
|  | Chrome | 28 050 892-00 |
|  | Brushed Platinum | 28 050 892-06 |
|  | Platinum | 28 050 892-08 |
|  | Dark Chrome | 28 050 892-19 |
|  | Brushed Durabronze (23kt Gold) | 28 050 892-28 |
|  | Brushed Bronze | 28 050 892-42 |
|  | Brushed Champagne (22kt Gold) | 28 050 892-46 |
|  | Champagne (22kt Gold) | 28 050 892-47 |
|  | Brushed Chrome | 28 050 892-93 |
|  | Brushed Dark Platinum | 28 050 892-99 |

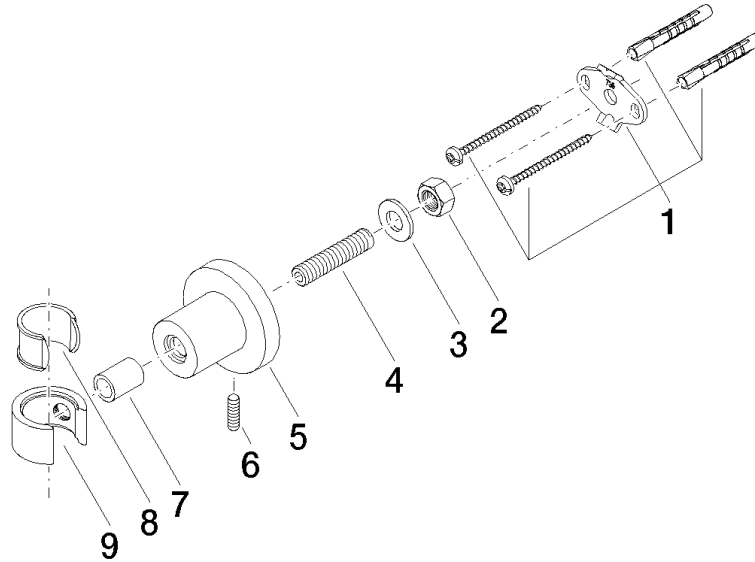
28 050 892 Product version from 4/1/2024

mm [inches]



28 050 892 Product version from 4/1/2024

Parts for other finishes can be found here: [Chrome](#)



Spare parts list

| No. | Item Number | Name | Quantity used | Delivery time |
|-----|--------------------|------------|---------------|---------------|
| 9 | 09 17 20 014-33 | holder | 1.00 | 30 |
| 5 | 08 17 89 505-33 | holder | 1.00 | 30 |
| 1 | 05 17 20 739 00 90 | fixing set | 1.00 | 2 |
| 2 | 09 23 10 026 90 | nut | 1.00 | 2 |
| 3 | 09 30 11 046 90 | disc | 1.00 | 2 |
| 7 | 08 17 20 624-33 | holder | 1.00 | 30 |
| 6 | 04 31 11 113 00 90 | pin | 1.00 | 2 |
| 4 | 08 18 50 586 90 | screw | 1.00 | 2 |
| 8 | 90 18 40 035 00 90 | sleeve | 1.00 | 2 |