

Rain shower with wall fixing 220 mm - Brushed Light Gold

IMO

28 649 670 Product version from 3/13/2017



- 450mm projection
- rain shower Ø 220 mm
- PURE RAIN, max. flow rate 14 l/min (at 3 bar)
- Function from: 7 l/min
- rosette 65 x 65 mm
- 1/2" connection
- with anti-scale system
- quick clearing
- WRAS

Fits: IMO, CYO

	Brushed Light Gold	28 649 670-27
	Chrome	28 649 670-00
	Brushed Platinum	28 649 670-06
	Platinum	28 649 670-08
	Dark Chrome	28 649 670-19
	Brushed Durabronze (23kt Gold)	28 649 670-28
	Matte Black	28 649 670-33
	Brushed Champagne (22kt Gold)	28 649 670-46
	Champagne (22kt Gold)	28 649 670-47
	Brushed Chrome	28 649 670-93
	Brushed Dark Platinum	28 649 670-99

Recommended miscellaneous



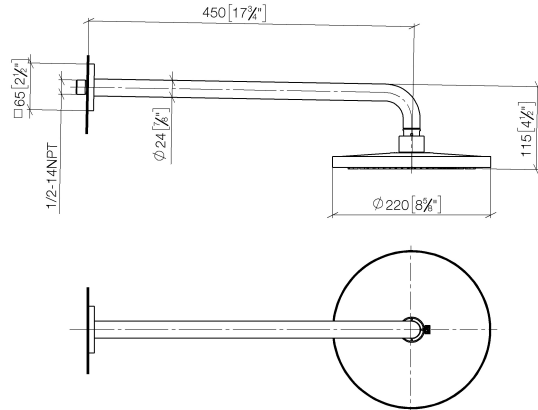
Concealed wall elbow -

35 085 970 90

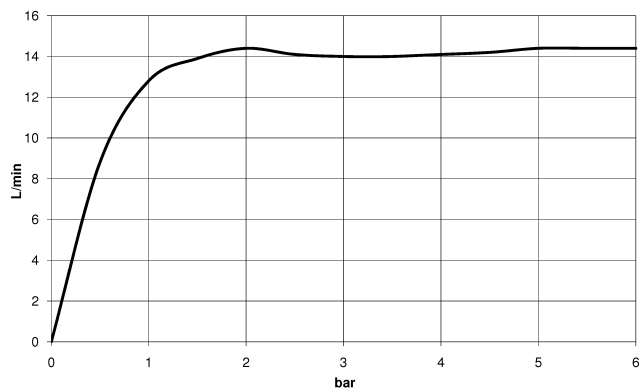
- min. recess depth mm
- max. recess depth mm

28 649 670 Product version from 3/13/2017

mm [inches]



Flow rate chart



Codes & Standards

DIN 4109

ISO 3822

Scottish Water
Byelaws

UK Water Supply
Regulations

Ü-Zeichen



Rain shower with wall fixing 220 mm - Brushed Light Gold

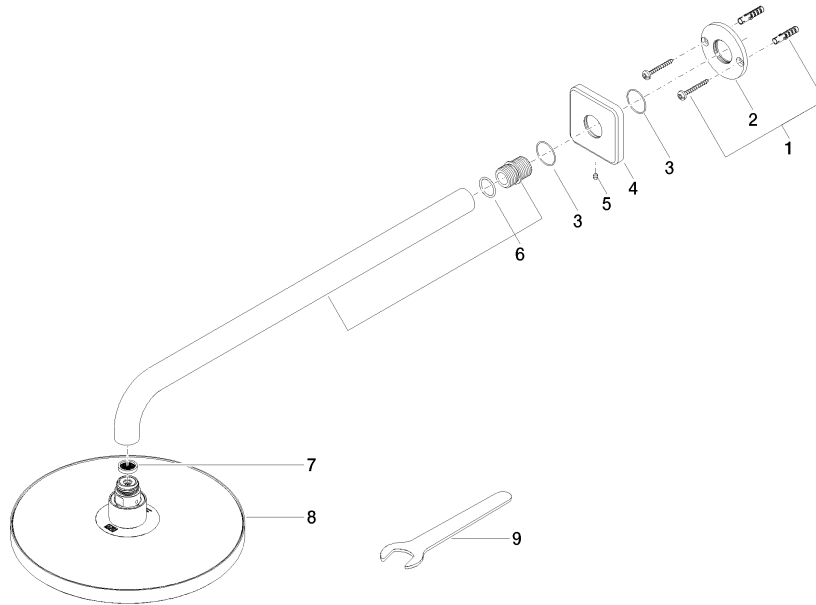
IMO

28 649 670 Product version from 3/13/2017

Certificates

WRAS_2212

LGA_38



Spare parts list

No.	Item Number	Name	Quantity used	Delivery time
1	04 30 31 032 00 90	fixing set	1	2
2	09 17 20 120 90	holder	1	2
3	09 14 10 150 90	seal	2	2
4	09 27 67 015-27	rosette	1	60
5	90 31 11 038 00 90	pin	1	2
6	90 11 03 070 00-27	pipe	1	30
7	09 23 01 075 90	insert	1	2
8	04 12 05 092 00-27	shower	1	60
9	90 30 09 069 00 90	key	1	2