

Rain shower with wall fixing 400 mm - Brushed Light Gold

TARA

28 659 970



- 450mm projection
- rain shower Ø 400 mm
- PURE RAIN, max. flow rate 20 l/min (at 3 bar)
- Function from: 12 l/min
- rosette Ø 60 mm
- 1/2" connection
- with anti-scale system
- WRAS

Product change as of 1st April 2024: max. flow 20l/min

Fits: TARA, LISSÉ, VAIA, META

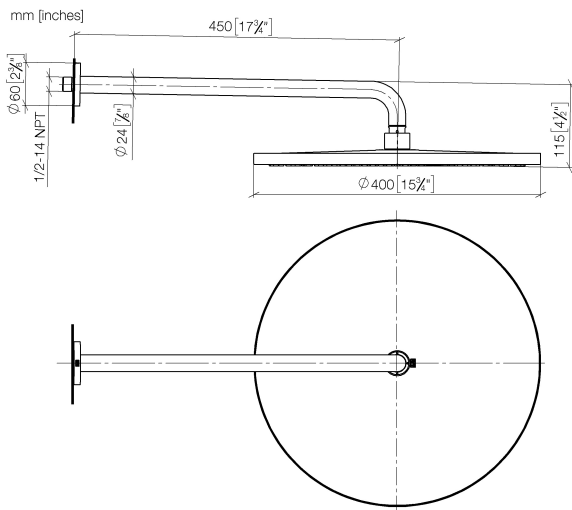
| | | |
|---|--------------------------------|---------------|
|  | Brushed Light Gold | 28 659 970-27 |
|  | Chrome | 28 659 970-00 |
|  | Brushed Platinum | 28 659 970-06 |
|  | Platinum | 28 659 970-08 |
|  | Dark Chrome | 28 659 970-19 |
|  | Light Gold | 28 659 970-26 |
|  | Brushed Durabronze (23kt Gold) | 28 659 970-28 |
|  | Matte Black | 28 659 970-33 |
|  | Brushed Bronze | 28 659 970-42 |
|  | Brushed Champagne (22kt Gold) | 28 659 970-46 |
|  | Champagne (22kt Gold) | 28 659 970-47 |
|  | Brushed Chrome | 28 659 970-93 |
|  | Brushed Dark Platinum | 28 659 970-99 |

Recommended miscellaneous

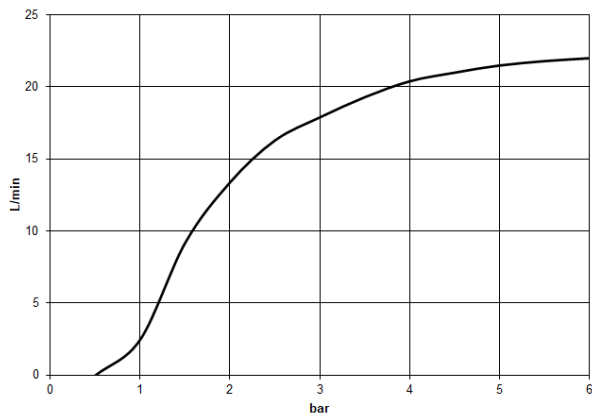


- Concealed wall elbow -** 35 085 970 90
- min. recess depth 90 mm
 - max. recess depth 163 mm

28 659 970



Flow rate chart



Certificates

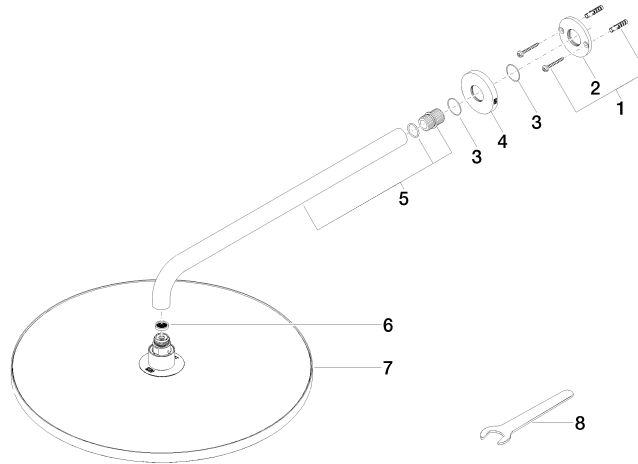
LGA_29237.

LGA_29238.

WRAS_2212012.

DVGW_DW-6517DN0118.

28 659 970



Spare parts list

| No. | Item Number | Name | Quantity used | Delivery time |
|-----|--------------------|------------|---------------|---------------|
| 1 | 04 30 31 032 00 90 | fixing set | 1 | 2 |
| 2 | 09 17 20 120 90 | holder | 1 | 2 |
| 3 | 09 14 10 150 90 | seal | 2 | 2 |
| 4 | 09 27 97 015-27 | rosette | 1 | 60 |
| 5 | 90 11 03 070 00-27 | pipe | 1 | 30 |
| 6 | 09 23 01 075 90 | insert | 1 | 2 |
| 7 | 04 12 05 090 00-27 | shower | 1 | 60 |
| 8 | 90 30 09 069 00 90 | key | 1 | 2 |