

Rain shower with wall fixing 300 x 240 mm - Brushed Durabronz (23kt Gold)

IMO

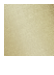
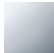






28 765 980



- 450mm projection
- rain shower 300 x 240mm
- PURE RAIN, max. flow rate 20 l/min (at 3 bar)
- Function from: 12 l/min
- rosette 60 x 60 mm
- 1/2" connection
- with anti-scale system
- quick clearing
- WRAS 1707033

Fits: IMO, MEM, CL.1

Product change as of 1st April 2024: max. flow 20l/min

| | | |
|---|-------------------------------|---------------|
|  | Brushed Durabronz (23kt Gold) | 28 765 980-28 |
|  | Chrome | 28 765 980-00 |
|  | Brushed Platinum | 28 765 980-06 |
|  | Platinum | 28 765 980-08 |
|  | Brushed Light Gold | 28 765 980-27 |
|  | Matte Black | 28 765 980-33 |
|  | Brushed Chrome | 28 765 980-93 |
|  | Brushed Dark Platinum | 28 765 980-99 |

Recommended miscellaneous

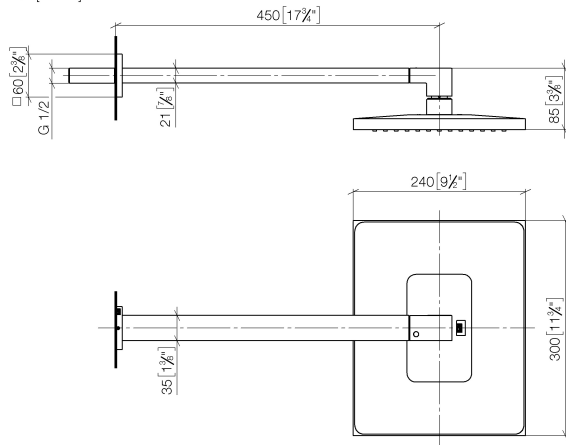


- Concealed wall elbow -**
- max. recess depth 163 mm
 - min. recess depth 90 mm

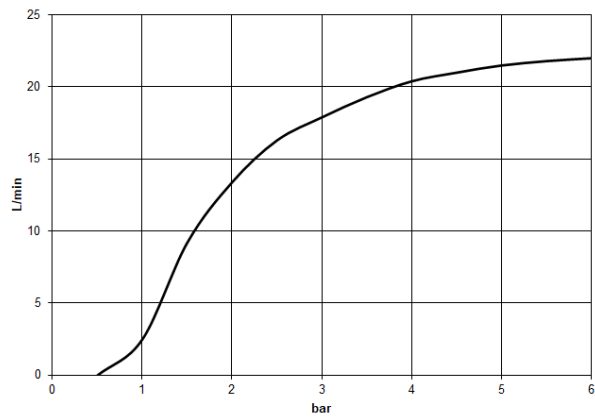
35 085 970 90

28 765 980

mm [inches]



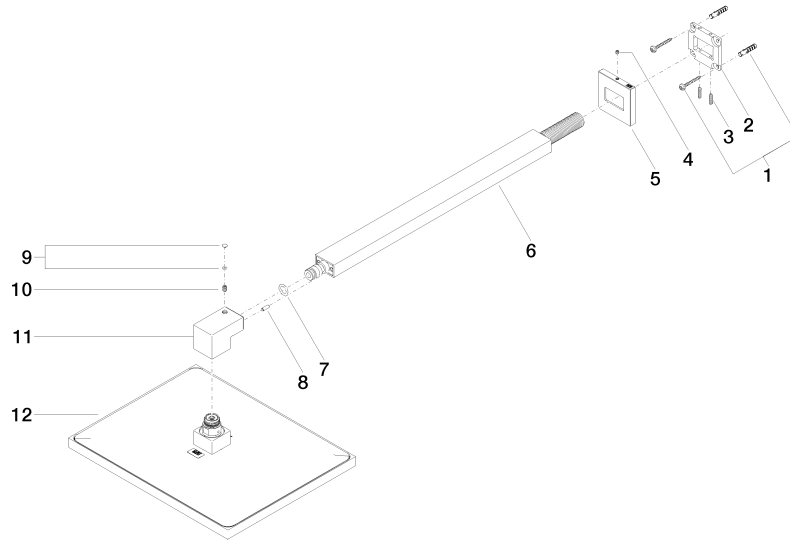
Flow rate chart



Certificates

LGA_29229. WRAS_2212012. LGA_38662.

28 765 980



Spare parts list

| No. | Item Number | Name | Quantity used | Delivery time |
|-----|--------------------|------------|---------------|---------------|
| 1 | 04 30 31 032 00 90 | fixing set | 1 | 2 |
| 2 | 09 30 11 160 90 | disc | 1 | 2 |
| 3 | 09 31 11 084 90 | pin | 2 | 2 |
| 4 | 09 31 11 099 90 | pin | 1 | 2 |
| 5 | 09 27 98 016-28 | rosette | 1 | 20 |
| 6 | 04 28 22 247 20-28 | pipe | 1 | 20 |
| 7 | 90 14 10 011 00 90 | seal | 1 | 2 |
| 8 | 09 31 11 040 90 | pin | 1 | 2 |
| 9 | 90 31 20 087 00-28 | plug | 1 | 20 |
| 10 | 09 31 11 036 90 | pin | 1 | 2 |
| 11 | 09 17 01 180-28 | connection | 1 | 20 |
| 12 | 04 12 05 063 00-28 | shower | 1 | 20 |