
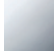


30 010 662



- 126mm projection
- fixed spout
- circular, air-enriched flow
- hole diameter 35 mm
- rosette Ø 60 mm
- max. flow 5.7 l/min
- lead-free
- This product can help a building meet the requirements of Green Building Rating Systems, e.g. LEED®, BREEAM®, DGNB

| | | |
|---|-------------------------------|---------------|
|  | Brushed Platinum | 30 010 662-06 |
|  | Chrome | 30 010 662-00 |
|  | Dark Chrome | 30 010 662-19 |
|  | Light Gold | 30 010 662-26 |
|  | Brushed Light Gold | 30 010 662-27 |
|  | Matte Black | 30 010 662-33 |
|  | Brushed Bronze | 30 010 662-42 |
|  | Brushed Champagne (22kt Gold) | 30 010 662-46 |
|  | Champagne (22kt Gold) | 30 010 662-47 |
|  | Brushed Chrome | 30 010 662-93 |
|  | Brushed Dark Platinum | 30 010 662-99 |

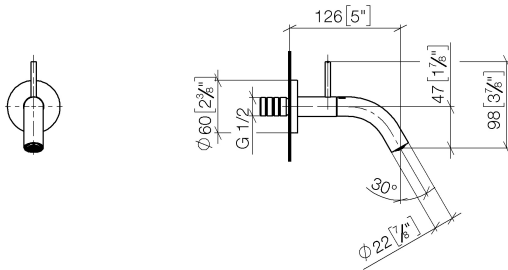
Recommended miscellaneous

- Concealed wall elbow -** 35 085 970 90
- max. recess depth 163 mm
 - min. recess depth 90 mm



30 010 662

mm [inches]



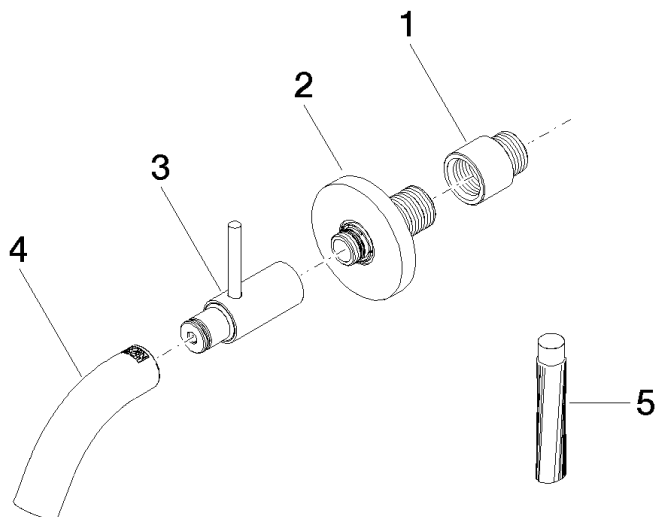
Flow rate chart



Certificates

LGA_38414.

30 010 662



Spare parts list

| No. | Item Number | Name | Quantity used | Delivery time |
|-----|--------------------|---------|---------------|---------------|
| 1 | 09 24 03 072 10 90 | nipple | 1 | 2 |
| 2 | 90 27 66 019 00-06 | rosette | 1 | 10 |
| 3 | 90 20 66 023 00-06 | handle | 1 | 10 |
| 4 | 90 28 22 385 00-06 | spout | 1 | 10 |
| 5 | 09 16 03 001 90 | grease | 1 | 2 |