

32 815 888



- 236mm projection
- pivotable spout 360°
- air-enriched flow
- max. flow 8.3 l/min at 3 bar flow pressure
- lead-free
- This product can help a building meet the requirements of Green Building Rating Systems, e.g. LEED®, BREEAM®, DGNB
- WRAS 240102014

Operating unit can be positioned freely.

	Brushed Chrome	32 815 888-93
	Chrome	32 815 888-00
	Brushed Platinum	32 815 888-06
	Platinum	32 815 888-08
	Durabronze (23kt Gold)	32 815 888-09
	Dark Chrome	32 815 888-19
	Brushed Durabronze (23kt Gold)	32 815 888-28
	Matte Black	32 815 888-33
	Brushed Champagne (22kt Gold)	32 815 888-46
	Champagne (22kt Gold)	32 815 888-47
	Brushed Dark Platinum	32 815 888-99

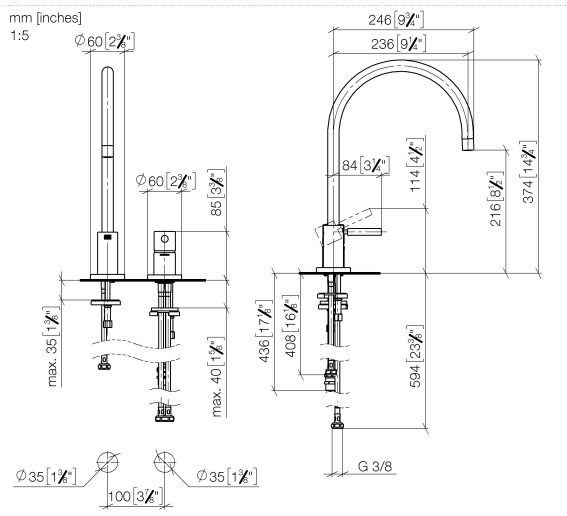
Recommended miscellaneous

Swivel limitation set -

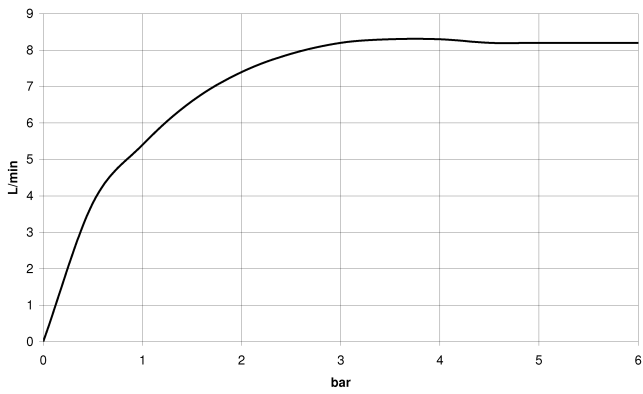
12 820 970 90



32 815 888



Flow rate chart

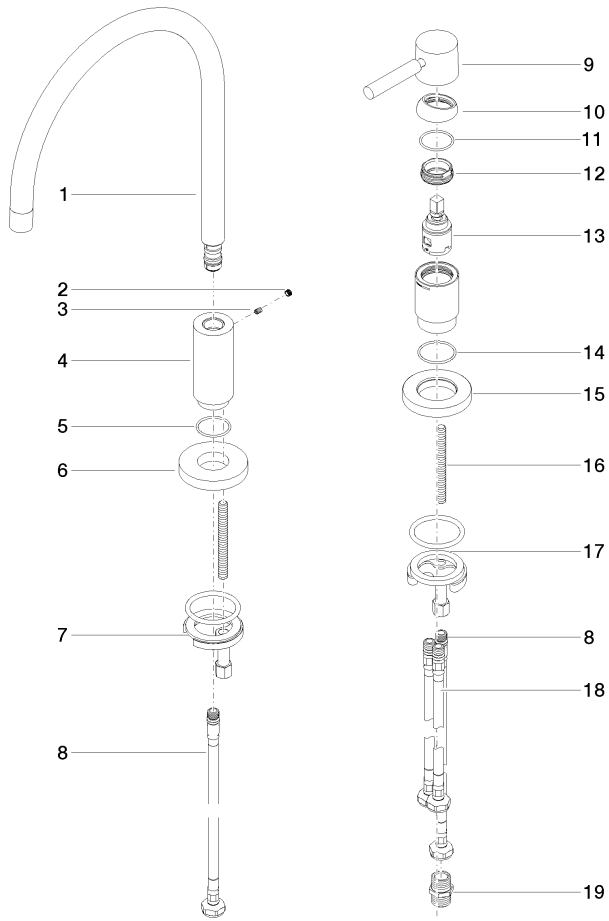


Certificates

LGA_38638.

WRAS_240102014.

32 815 888





TARA Two-hole mixer with individual rosettes - Brushed Chrome

TARA

32 815 888

Spare parts list

No.	Item Number	Name	Quantity used	Delivery time
1	90 28 22 226 00-93	spout	1	-
Spare part can no longer be ordered, please order the replacement item				
2	90 31 20 109 00 90	plug	1	2
3	09 31 11 008 90	pin	1	2
4	09 11 10 062 10-93	connection	1	60
5	09 14 10 120 90	seal	1	2
6	90 28 10 211 00-93	rosette	1	-
Spare part can no longer be ordered, please order the replacement item				
7	04 30 11 038 00 90	fixing set	1	2
8	04 30 04 019 00 90	hose	2	2
9	90 20 66 003 00-93	handle	1	20
10	09 28 30 026-93	cover	1	60
11	09 14 10 091 90	seal	1	2
12	09 24 04 266 90	nut	1	2
13	90 15 05 042 00 90	cartridge	1	2
14	09 14 10 110 90	seal	1	2
15	09 27 97 040-93	rosette	1	60
16	09 31 11 011 90	pin	1	2
17	04 30 11 085 97 90	fixing set	1	2
18	04 30 04 105 00 90	hose	2	2
19	90 24 03 168 00 90	nipple	1	2